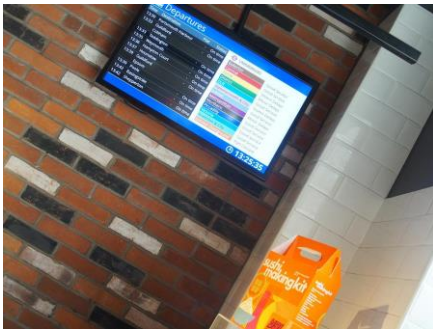


# T-series: Semi-ruggedised TFT displays for 2017



Application areas	
Locations:	Ticket offices, indoor retail & business outlets
Uses:	Live passenger information, special notices, operational information, multi-modal arrival / departure details & advertising.

Key features	
Format:	Single-sided portrait or landscape
TFT Resolution:	1920 x1080 (Full-HD)
Brightness (typ.):	400cd/m <sup>2</sup> or 700 cd/m <sup>2</sup> on larger sizes
screen size:	32 or 42" diagonal (55"with MOQ)
Communications:	Ethernet & RS485
Protocols:	EDF, TDP, Delve and others

CDS's T series of IP32 TFT displays use a high performance computer-engine to produce a powerful, flexible and resilient range of displays specifically designed for information and media presentation systems in indoor areas such as lounges and retail outlets. The smart metal cased design and polycarbonate protective front window enable these displays to be installed for long operating life, 24 hours a day, in staffed, public-facing environments.

- ◆ High-performance computer-engine.
- ◆ Choice of screen sizes.
- ◆ Content & asset management system compatible.
- ◆ Low power & EMC certified design.
- ◆ Modular design for ease of maintenance and reduced spares holdings.
- ◆ RS485, TCP/IP, Wireless, RS232 and GPRS communications available.
- ◆ Multiple protocols including: TDP, EDF, Delve & Lucid (SIRI, VDV453, XML options)
- ◆ Remote display monitoring, script adjustment and firmware upgrade.
- ◆ Semi-rugged IP32 rated metal housing provides a smart-looking appearance suitable for public display.
- ◆ 3mm polycarbonate front window.
- ◆ Life expectancy of over 5 years (24/7).
- ◆ Smart & logo free for portrait or landscape use.
- ◆ VESA mounting bracket compatible.

## Common Display Specifications:

<b>TFT</b>	Grade / viewing angle / backlight	Industrial or public information /178° all-round / Long-life white LED
<b>Resolution</b>	Columns x rows (landscape orientation)	1920 x 1080
<b>Enclosure</b>	Construction / finish / colour	Welded aluminium / powder coated / RAL9005 (Black)
	Window	3mm polycarbonate
<b>Environmental</b>	Ingress protection	IP32 to BSEN60529 1992 (incl. amendments) parts 1&2
	Operating temperature range	0°C to +50°C
<b>Power supply</b>	Input range	95 to 264Vac mains
	Connection	3-pin standard IEC mains plug fitted to rear
<b>Features</b>	Operational rating	24 hours-a-day, 365 days-a-year continuous operation
	Ambient control	Internal temperature monitoring and fan-less control
<b>Approvals</b>	EMC	EN61000-6-4: 2007 / EN61000-3-2: 2006 EN61000-3-3: 2008 / EN61000-6-2: 2005 / EN50121-4: 2006
	Low voltage directive	Meets relevant parts of EN60950-1 2006
	PRM TSI compliance	Yes (character height dependent)
	NR Parts And Drawing System (PADS) ref.	See below, beneath part number. Actual reference is dependent on options.

## Specific model details:

Model (PADS ref)	Brightness	Details	Overall Dimensions (mm)
<b>CDS-TS-32B</b>	400cd/m <sup>2</sup>	Standard brightness semi-rugged 32" TFT 1920 x 1080 - 16:9  Weight: 11.5kg	727.2 x 427 x 91 (landscape mode)  VESA mount type: 200 x 200
<b>CDS-TS-42B</b>	700cd/m <sup>2</sup>	Standard brightness semi-rugged 42" TFT 1920 x 1080 - 16:9  Weight: 19kg	953.2 x 553 x 96 (landscape mode)  VESA mount type: 400 x 400
<b>CDS-TS-55B</b> <i>[MOQ of 10 pieces]</i>	700cd/m <sup>2</sup>	Standard brightness semi-rugged 55" TFT 1920 x 1080 - 16:9  Weight: 27kg	1254 x 724 x 96 (landscape mode)  VESA mount type: 400 x 400

Data sheet details are subject to change without notice. TBC = to be confirmed at time of publication.

## Part Numbering scheme:

**Options:** (note not all options are available on all models – please contact Infotec for details or see specific datasheet)

Example:

**CDS-TS-42B-G**

**-G** SIM enabled (4G/3G/GPRS)

**TS** = TFT-based, semi-ruggedised range.

**42** = 42 inches diagonal size active area (approximate)

**B** = Aspect ratio; can be mounted in "Both" landscape  
And portrait orientations.

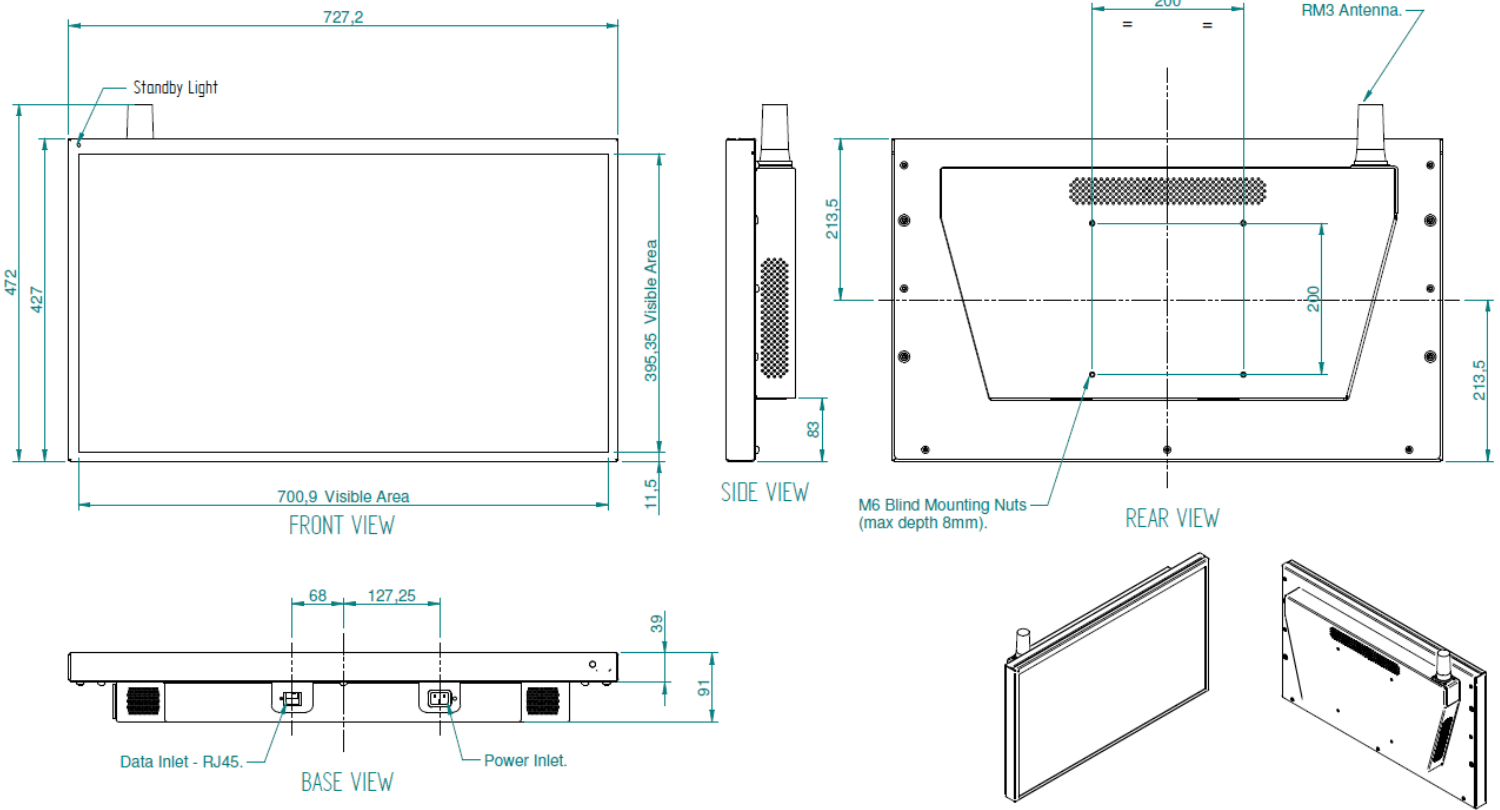
**-** = start of options, where one or several may apply.  
(See box right for possibilities.)

**G** = SIM enabled

**-T** Audio enabled (TTS)

**-W** WIFI enabled

CDS-TS-32-B outline dimensions



CDS-TS-42-B outline dimensions

