

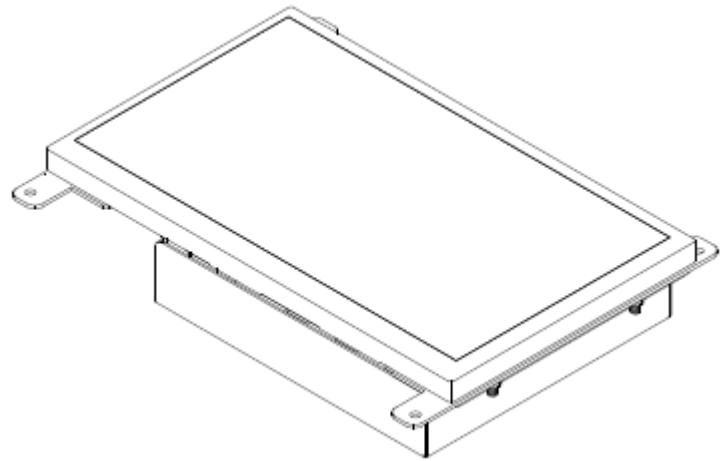
SPECIFICATION

MO-070-002Z/T

7" 16:9 1024x600px, 400cd/m² PCAP touch monitor

FEATURES

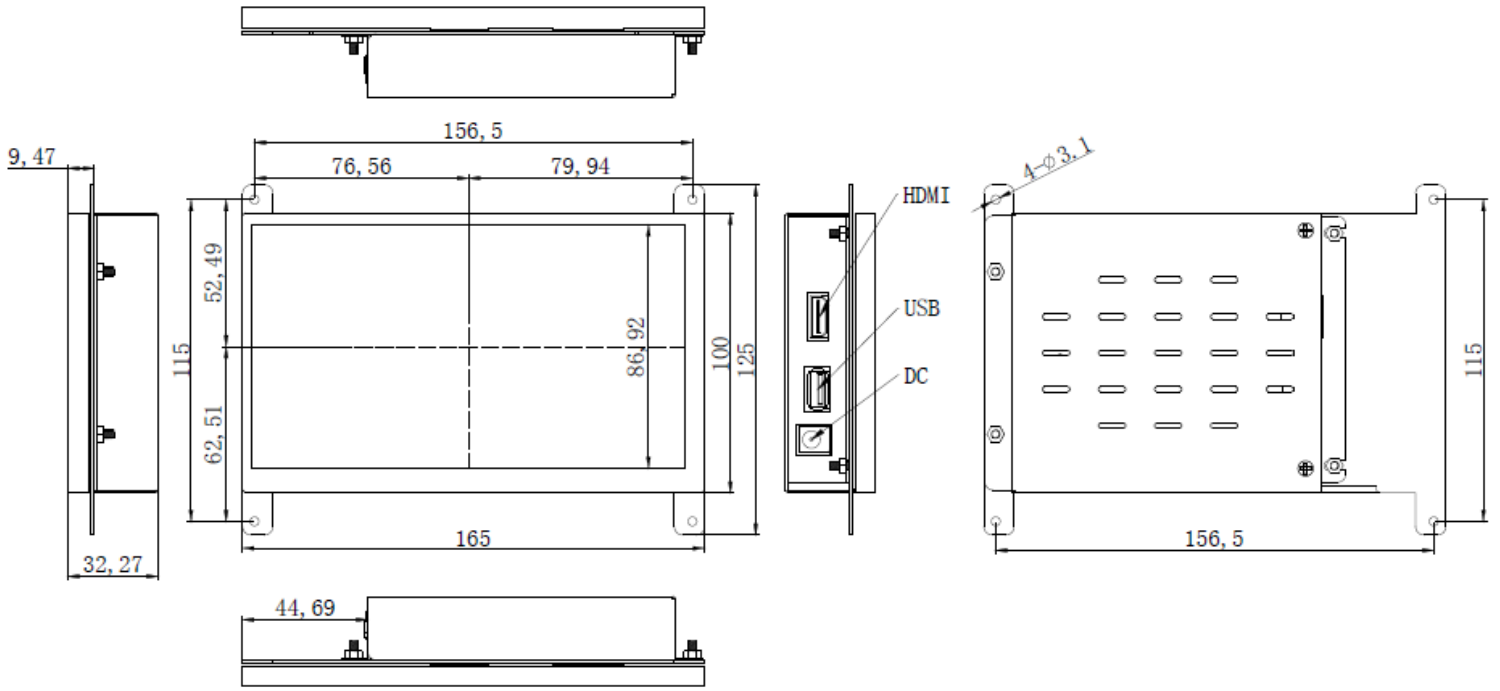
- 7" 16:9 LED
- 160/160 Viewing angle
- PCAP touchscreen (USB)
- HDMI input
- 1024 x 600
- Driver free for Raspberry



SPECIFICATION

Screen diagonal	7 inches
Overall size	165 x 125 x 32.27mm
Active area	154.21 x 85.92mm
Screen max resolution	1024 x 600px
Pixel Pitch	0.150×0.143 (H×V)
Colour Depth	16.7M True Colours
Brightness	400cd/m ²
Contract ratio	800:1
Viewing Angle H/V	80° / 80° / 80° / 80°
Surface Treatments	Hard coating (3H)
Inputs	HDMI x 1 / USB A (Touch)
Power input	12V, 3A DC
Languages	Multi
Touch glass thickness	2mm
Touch solution	Ilitek 2511 touch solution
Glass Hardness	≥6H

DRAWING



IMAGE



Need any additional information?

If you need any assistance with pricing information, technical support or require any additional information our team would be more than happy to assist.



CONTACT US:

Crystal Display Systems Ltd
Unit 6 M2M Park, Fort Bridgewood,
Maidstone Road, Rochester, Kent
ME1 3DQ
United Kingdom

T: +44 (0) 1634 791600
E: info@crystal-display.com
W: crystal-display.com

**SPECIALIST GLOBAL SUPPLIERS IN INNOVATIVE LCD
DISPLAY SOLUTIONS AND DIGITAL SIGNAGE SOLUTIONS**

*E & OE. Specifications may be subject to change without prior notice

More information can be found at:
crystal-display.com