

CDS Stretched Bar Type Displays (FAQs)

Dated: 3rd January 2024

Crystal Display Systems' Stretched FAQ document is the world's first of its kind. We're happy to share our knowledge with new contacts and customers. Contact us at info@crystal-display.com for any questions or feedback.



CONTACT US

crystal-display.com

MORE INFO

FOR INDUSTRIAL DISPLAY SOLUTIONS

1) What is a Stretched Bar Type Display?

- A Stretched Bar Type Display is a specialized LCD panel with an elongated form factor, typically featuring a wide aspect ratio. It is designed for applications where traditional display dimensions may not be suitable.



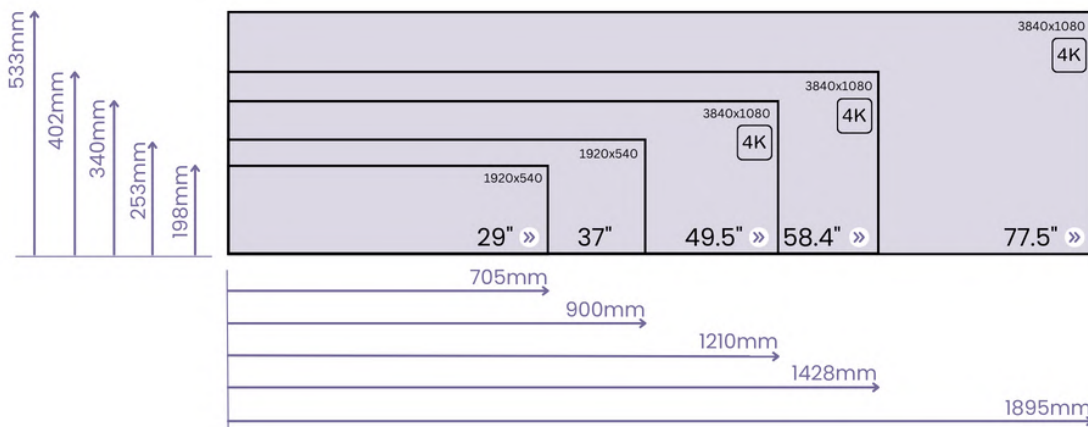
16:9 ratio
Quarter cut to
16:2.25 ratio



2) How does the Aspect Ratio of a Stretched Display differ from Standard Displays?

- Stretched Displays have a unique aspect ratio, often exceeding the standard 16:9 or 4:3 ratios. Common ratios for stretched displays include 16:3 or 32:9.

Half Cut Stretch displays ~ the most popular range



3) What Applications are Suitable for Stretched Bar Type Displays?

- Stretched Displays are ideal for applications such as transportation signage, retail shelving, menu boards, and industrial instrumentation where space constraints or unique design requirements exist.

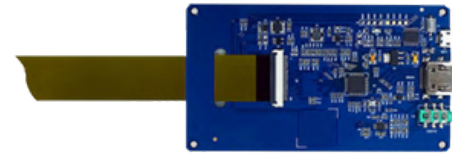
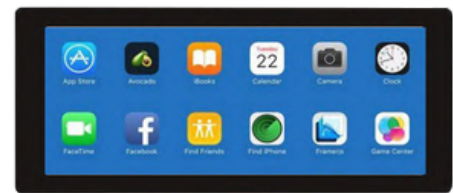
4) Do Stretched Displays Support Touch Technology?

- Yes, many Stretched Bar Type Displays come with touch functionality, enabling interactive applications in addition to their unconventional form factor. CD offers these with Infra-Red (I.R.) or PCAP (Projected Capacitive) Touchscreens.
- There are a limited number of in-cell touch options available
- Touch screens can be integrated within an enclosure or separately supplied for example if you are building a flush surface.



5) Do you offer panel only as well as Monitor solutions?

- Yes, we offer panel only where you can interface to it yourself, or we supply it with an interface card kit with HDMI input or a fully enclosed monitor solution.



6) What Challenges Exist in Content Creation for Stretched Displays?

- Content creation for Stretched Displays requires consideration of the unique aspect ratio. Content designers may need to adapt or create custom content to fit the elongated screen especially on cut displays where the content will reside on the top of the display, but our technical support team can easily support you with that, if you have any issues.

7) Are Stretched Displays Suitable for Outdoor Use?

- Stretched Displays designed for outdoor use are available from CDS and IP rated enclosures, featuring high brightness and durable construction to withstand varying environmental conditions in many applications including railway stations, marine etc.
- These are subject to project review and possible MOQ.

8) Can Stretched Displays be Customised in Size?

- CDS offers customization options for Stretched Displays, allowing clients to specify dimensions based on their unique requirements. There are some limitations on what is possible, and this may be subject to minimum order quantity. Contact our team with your requirements and we can recommend the best option.

9) What is the Lifespan of Stretched Bar Type Displays?

- The lifespan of CDS Stretched Displays is comparable to standard displays and is influenced by factors such as usage patterns, environmental conditions, and quality of components. CDS offers excellent warranty terms including extended warranties where required.

10) How is the Power Consumption of Stretched Displays Compared to Standard Displays?

- Power consumption varies, but generally, Stretched Displays consume power in a manner similar to standard displays of comparable size. Energy-efficient models are available, and the CDS data sheet specification will give you all the information you need.

11) Do Stretched Displays Have Multiple Connectivity Options?

- Yes, CDS Stretched Displays typically offer a range of connectivity options, including HDMI, DisplayPort, and in some cases, ensuring compatibility with various devices and inputs. Note on Connectivity, you may need to consider the media player used supports the native resolution of the display.

12) Can Stretched Displays be Mounted in Landscape and Portrait Orientations?

- Many Stretched Displays support both landscape and portrait orientations, providing flexibility in installation and design.

13) Are Stretched Displays Prone to Image Distortion or Pixelation?

- Our modern Stretched Displays use advanced scaling technology to minimize distortion and pixelation, ensuring clear and accurate visuals with ultra-wide viewing angles.



14) How Does the Refresh Rate of Stretched Displays Impact Video Playback?

- CDS Stretched Displays typically offer sufficient refresh rates for smooth video playback. The impact on refresh rate depends on the specific model and application requirements.

15) Can Stretched Displays be Integrated with Existing Control Systems?

- Yes, Stretched Displays often feature compatibility with common control systems, making integration into existing setups feasible.

16) What is the Typical Brightness Level of Stretched Displays?

- Brightness levels of the CDS Stretched Displays vary, but Stretched Displays designed for public spaces often feature high brightness to enhance visibility in well-lit environments and CDS will ensure you get the best brightness and therefore optimum solution for your application.

17) Do Stretched Displays Support Multi-Screen Configurations?

- This is down to your driving solution however we have customers used Displays in multi-screen setups for creating visually impactful displays or accommodating larger content and our technical team can support you in this endeavour.

18) How Does Temperature Affect the Performance of Stretched Displays?

- Stretched Displays designed for industrial applications often have a wide operating temperature range to ensure performance in diverse environments, but this will depend on the product, but our technical sales team will ensure you have a suitable and the best solution for you and your application.

19) Can Stretched Displays be Used in Video Walls?

- Yes, Stretched Displays can be integrated into video walls, providing a unique and attention-grabbing visual experience.

20) What is the Warranty Period for Stretched Bar Type Displays?

- Warranty periods vary by product but as a standard they tend to be 12 months from invoice date although CDS offers longer and extended warranty options.

21) Are Stretched Displays Susceptible to Image Retention or Burn-In?

- Stretched Displays employing advanced LCD technologies are less susceptible to image retention or burn-in compared to older display technologies. Regular maintenance practices can further mitigate these concerns.

22) What Applications Benefit Most from Stretched Bar Type Monitor Displays?

- Stretched Bar Type Monitors are well-suited for many varied applications such as digital signage, transportation displays, automotive, and retail environments as well as many others where space constraints or unconventional design requirements exist.
- The retail digital shelf display is an attractive Shelf Edge LCD Display well suited for a variety of in-store, on-shelf digital signage applications such as retail shelf edge pricing, retail shelf edge advertising, and multi-shelf digital signage in supermarkets, grocery stores, liquor stores, clothing stores, and other retail applications. Such a smart shelf system is end-to-end digital retail TFT shelf edge display solution perfect for retail POS applications, and it can turn your shop into a modern retail business to enhance customers' shopping experience.



23) What sizes of stretched displays does CDS offer?

- We have a wide range of sizes with our range is constantly increasing but some examples from our most popular range can be seen as follows: 19.2", 23.9", 29", 36.8", 37", 42.4", 43.5", 47", 49.5", 58.4", and 77.5". Many more sizes are available, including 4K, high bright, outdoor and touch solutions.

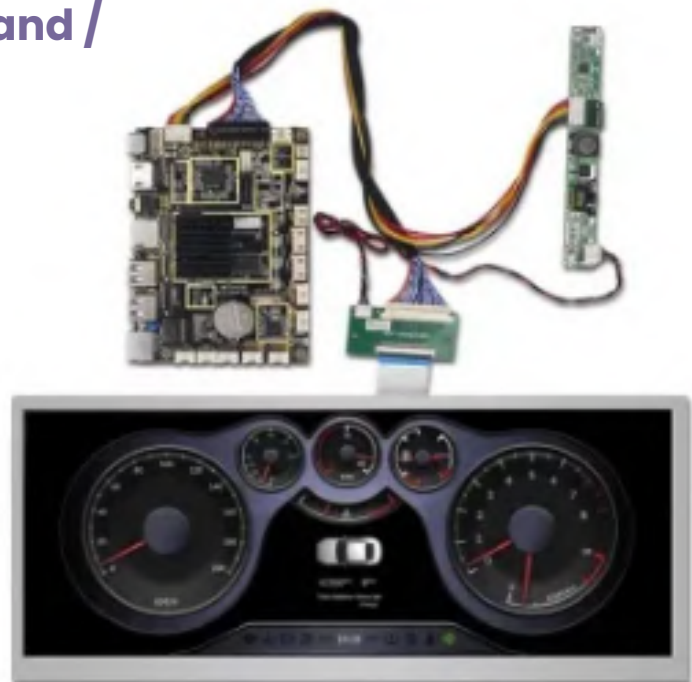


24) What are some of the features of the CDS stretched displays?

- **Slim design** – Digital Edge Displays Slim design can complement any interior as it is light and visually appealing.
- **Landscape and portrait** orientation compatible
- High contrast, **high brightness**, greatly improving the layering of the picture, and better performance of details; Wide colour range.
- **Shelf edge** LCD display with slim and narrow bezel, advertisements are displayed without blocking the sight of consumers, thus creating a perfect shopping experience.

25) Does CDS offer kits as well panel and / or monitors?

- Yes, we offer such interface kits as below for you to build into your own housing and design which is supplied with all the relevant high-quality cables and connectors etc. We can also supply a power supply if needed, or you can obviously do this yourself. As you can see CDS has the widest, most flexible product range to meet your specific requirements and specification.



26) Do you have any images of your stretched displays?

- We have many on our website at the following link: <https://crystal-display.com/products/ultra-wide-stretched-cut-displays/>
- As well as many install application images here - <https://crystal-display.com/products/stretched-lcd-case-studies/>
- Not only this but we also offer square LCD monitors - <https://crystal-display.com/products/cds-square-lcd-displays/>

Need any additional information?

If you need any assistance with pricing information, technical support or require any additional information our team would be more than happy to assist



CONTACT US:

Crystal Display Systems Ltd
Unit 6 M2M Park, Fort Bridgewood
Maidstone Road, Rochester,
Kent. ME1 3DQ

T : +44(0) 1634 791600

E : info@crystal-display.com

W : crystal-display.com

**SPECIALIST GLOBAL SUPPLIERS IN INNOVATIVE LCD
DISPLAY, TOUCH AND DIGITAL SIGNAGE SOLUTIONS**

E&OE - Specifications may be subject to change without prior notice