

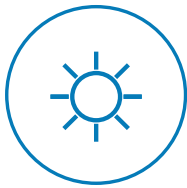
CDS

Crystal Display Systems Ltd

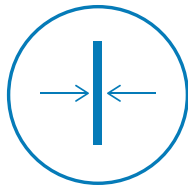
OUTDOOR Digital Signage



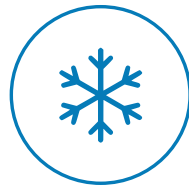
TRUE IP Rating



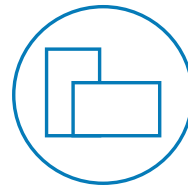
High Brightness



Ultra Thin



All Seasons



Horizontal & Vertical



Tempered Glass



Maintenance Free

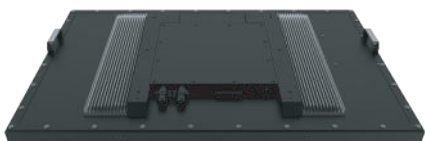
No Fan



No Vent



No Filter



Ultra Thin

Conventional

5.5"
139.5mm

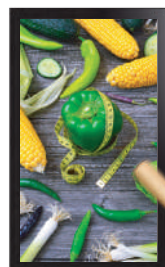


CDS (32inch)

3.6"
91.5mm



Tempered Glass



Front View

SUPPORTS PORTRAIT & LANDSCAPE INSTALLS



MULTIPLE USAGE

Built from the ground up as IP66 fully enclosed display modules, with complete resistance to all the elements such as dust, wind, rain, moisture, etc..It's modular design supports up to three displays side-by-side, with an additional back-to-back option. Multiple options and opportunities for installation.



(1x1)

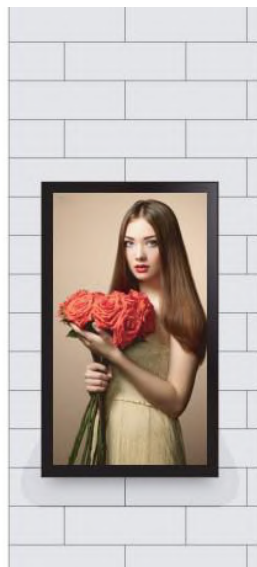


(1x2)



(1x3)

INSTALLATION METHODS



LCD Display

Size	32	43	55	65	75
Active Display Area (H x V mm)	698.4 x 392.85	940.896 x 529.254	1209.6 x 680.4	1428.48 x 803.52	1649.664 x 927.936
Resolution	1920 x 1080	1920 x 1080	1920 x 1080	3840 x 2160	3840 x 2160
Aspect Ratio	16 : 9				
Brightness	2000 nits	2500 nits	2500 nits	2500 nits	2500 nits
Backlight Adjustment	Automatic (Ambient Light Sensor)				
Viewing Angle	178°/178°				
Backlight Configuration	Direct LED				
Operation Life Cycle-mtbf(hours)	50,000				

Mechanical

Dimensions(W x H x D)	797x491.5x91.5 mm	1039.5x628x98 mm	1308x779x98 mm	1527 x 902 x 104 mm	1748.5x1027x104 mm
Net Weight	32kg	54kg	77kg	112kg	137kg
Enclosure Material	Galvanized Steel + Aluminum				
Finishing	Zinc Powder Coating + Fine Grain Powder Coating				
Colour	Black (Ral 9005)				
Glass	Tempered Glass,Back Painted Pantone Black C				

Power

AC Input	110 VAC / 220 VAC (32") , 110 VAC-220 VAC (43" , 55" , 65" , 75") , 50 to 60 Hz				
Power Consumption	104w	210w	310w	425w	543w

Environmental

IP Rating	IP66
Operating Enviroment	Fully Outdoor
Operating Temperature	-20°C~45°C(-4°F~113°F)
Operating Humidity	5%~98%
Operating Altitude	≤ 2000m

Media

	(HDMI In) Standard	(Android OS) Option
OS	N / A	Android 5.1
CPU	RTD2483	RK3288 1.8GHz
GPU	N / A	Mail-764
Memory	N / A	2GB (DDR3)
ROM	N / A	8GB (eMMC)
HDMI Input	HDMI (x 1) , 480i, 480p, 720p, 1080i , 1080p , 2160p(65",75")	HDMI (x 1) , 480i, 480p, 720p, 1080i , 1080p
USB Data Input	Not Working	USB 2.0 (x 1)
Analog Audio Output	3.5mm Headphone Jack (x1)	3.5mm Headphone Jack (x 1)
Ethernet	Not Working	RJ-45 (x 1)
WiFi	Not Working	802.11/b/g/n

Packaging

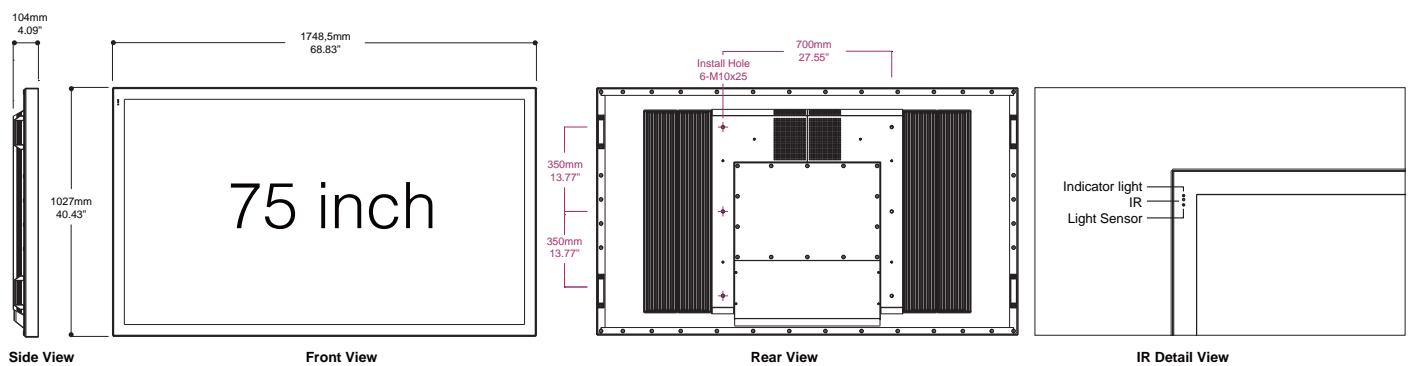
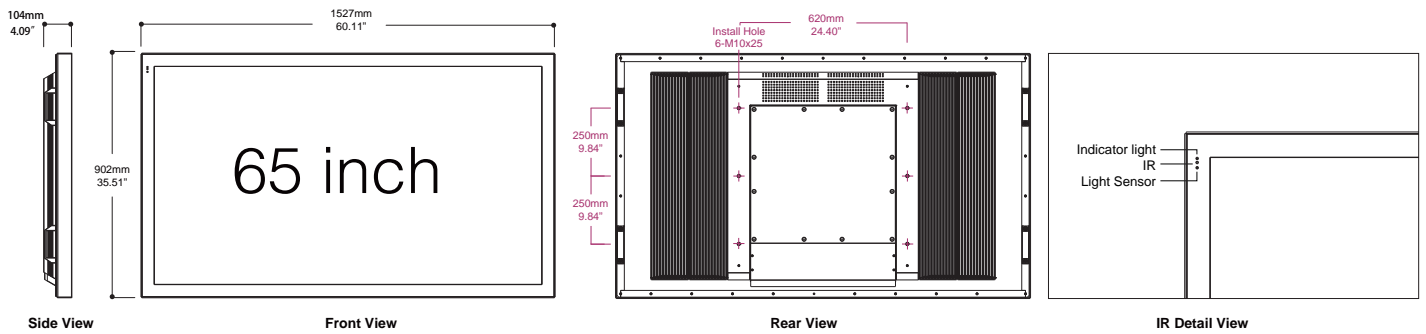
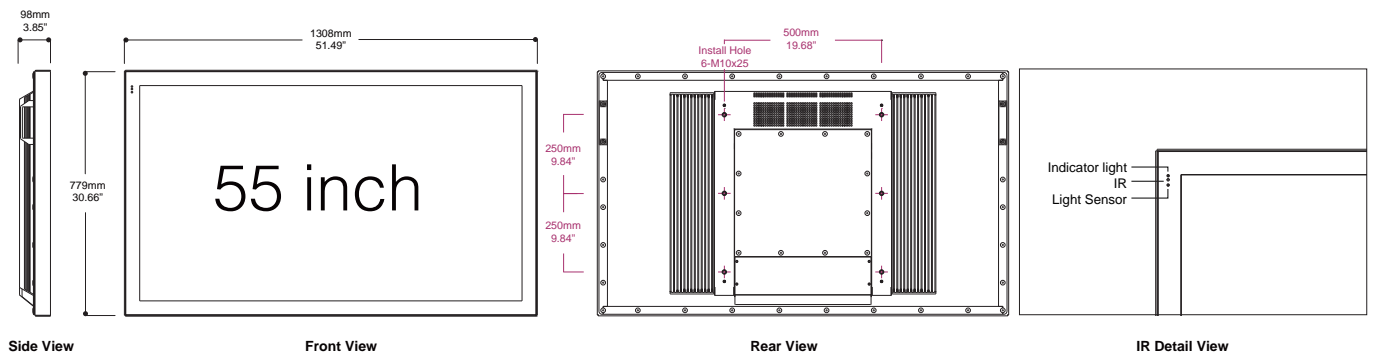
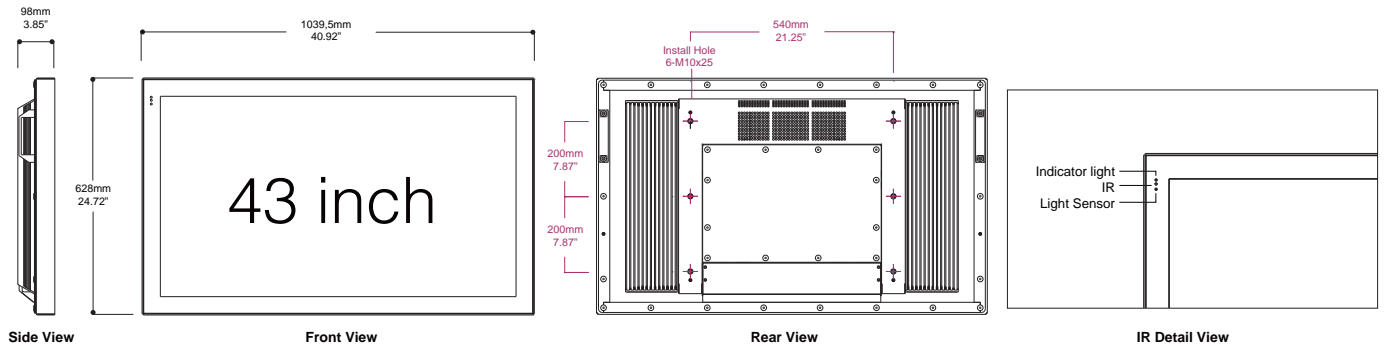
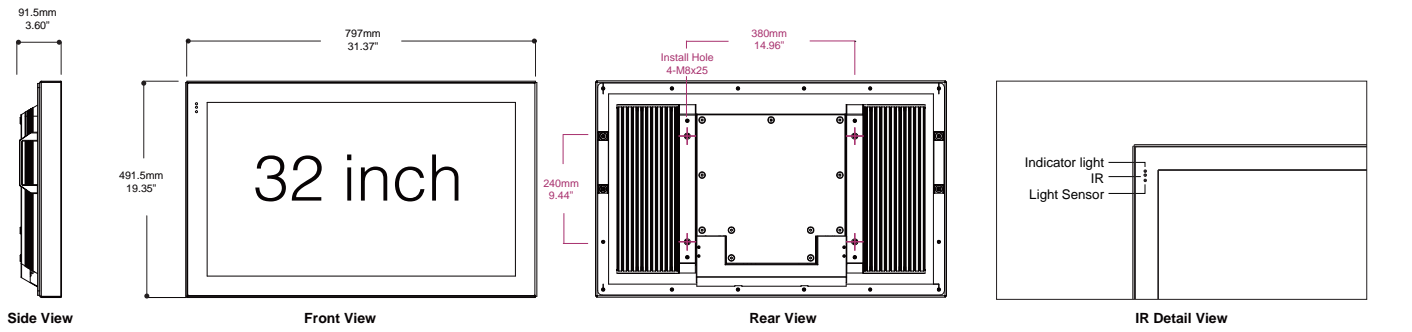
Size(W x D x H) (1 unit)	925*240*615mm	1150*240*750mm	1438*240*890mm	1640*240*990mm	1878x240x1140mm
Pallet Size(W x D x H) (2 units)	950*500*735mm	1170*500*870mm	1450*500*1010mm	1650*500*1110mm	1900*500*1260mm
Ship Weight (2 units and pallet)	90kg (198LB)	135kg (298LB)	190kg (419LB)	255kg (562LB)	315kg (694LB)

Container

20GP Container	108 units	90 units	72 units	60 units	27 units
40GP Container	224 units	180 units	144 units	126 units	56 units
40HQ Container	224 units	180 units	144 units	126 units	112 units

Scale Drawing

All dimensions=inch(mm)



Need any additional information?

If you need any assistance with pricing information, technical support or require any additional information our team would be more than happy to assist.



CONTACT US:

Crystal Display Systems Ltd
Unit 6 M2M Park, Fort Bridgewood,
Maidstone Road, Rochester, Kent
ME1 3DQ
United Kingdom

T: +44 (0) 1634 791600
E: info@crystal-display.com
W: crystal-display.com
www.crystal-digitalsignage.com

**SPECIALIST GLOBAL SUPPLIERS IN INNOVATIVE LCD
DISPLAY SOLUTIONS AND DIGITAL SIGNAGE SOLUTIONS**

*E & OE. Specifications may be subject to change without prior notice

More information can be found at:

crystal-display.com