

TOLED

TRANSPARENT 30" KIOSK

FROM CRYSTAL DISPLAY SYSTEMS



45% TRANSPARENCY



TOP COLOUR
PERFORMANCE



PRODUCT
RELIABILITY



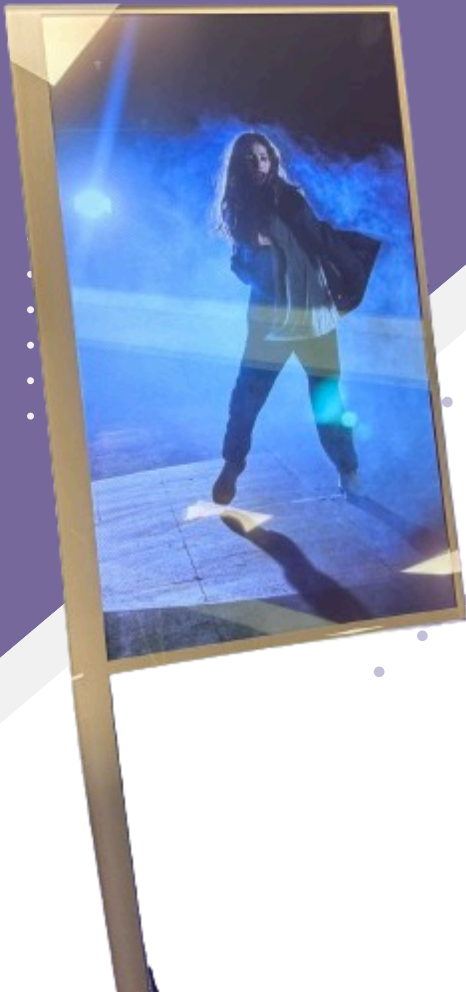
768 X 1366
RESOLUTION



150~400 NITS
BRIGHTNESS



ANDROID 11 OS WITH
HDMI INPUT



TRANSPARENT OLED

- Self-emitting light, no backlight needed
- High transparency compared to LCD transparent technologies
- Accurate and vivid colours with rich colour performance (10bit(R), 1.07 billion colours)
- Super high contrast (135000:1) and ultra high picture quality
- Protective tempered glass
- 178° ultra-wide viewing angle
- Supports capacitive touch control
- Ideal for multiple applications and environments
- Aesthetically pleasing and space-saving design with stand

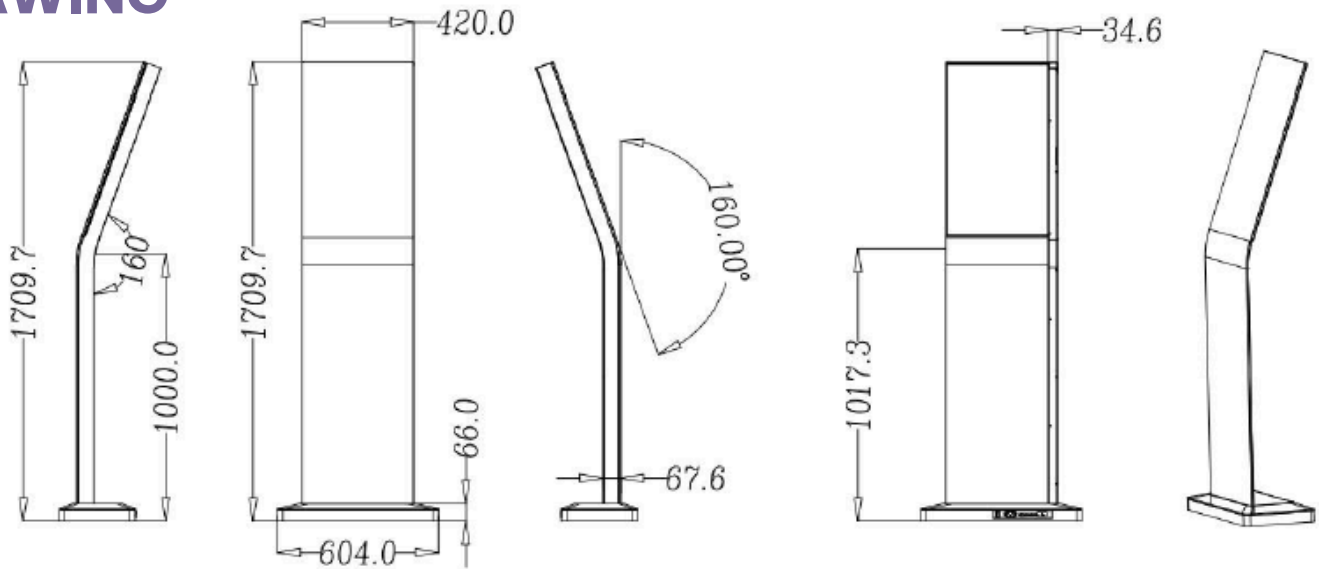




SPECIFICATIONS

Display Size	30" OLED	System	Android 11
Resolution	1366 x 768	Power Input	AC 100~240V
Ratio	16:9	Power Consumption	<100W
Luminance	150~450 nits	Operation Hours	7/12h
Contrast Ratio	135000:1	Lifetime	30,000 hours
Viewing Angle	178° / 178°	Working Temperature	0~40 °C
Response Time	0.1ms (Grey to Grey)	Humidity	20%~80%
Colour Depth	10bit(R), 1.07 billion colours	Material	Aluminium profile, tempered glass, and sheet metal
Processor	Quad-core Cortex-A55, frequency up to 1.92GHz	Outline dimension	604 x 1709 mm
Storage	2G	Net weight / gross weight	35 / 55 kgs
Memory	16G	Accessories	Base, power cord, HDMI cable, and remote control
Chip set	T982		

DRAWING



Need any additional information?

If you need any assistance with pricing information, technical support or require any additional information our team would be more than happy to assist



CONTACT US:

Crystal Display Systems Ltd
Unit 6 M2M Park, Fort Bridgewood
Maidstone Road, Rochester,
Kent. ME1 3DQ

T : +44(0) 1634 791600

E : info@crystal-display.com

W : crystal-display.com

**SPECIALIST GLOBAL SUPPLIERS IN INNOVATIVE LCD
DISPLAY, TOUCH AND DIGITAL SIGNAGE SOLUTIONS**

E&OE - Specifications may be subject to change without prior notice