



# OutdoorVUE

## FULLY OUTDOOR DIGITAL SIGNAGE

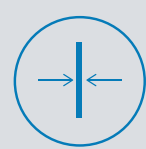
### S Series



IP Rating



High Brightness



Ultra Thin



Four Seasons



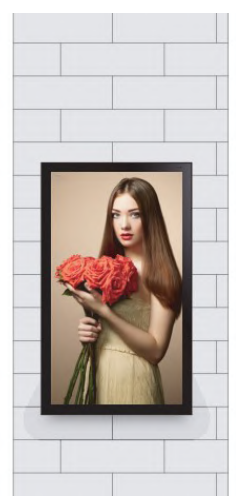
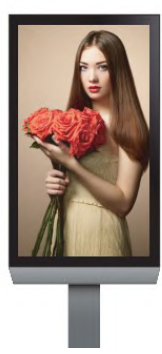
Horizontal & vertical



Tempered Glass

CDS offers a premium outdoor digital signage solution with a high-brightness LCD display, integrated high-temperature LCD, self-cooling design, and AG coating glass for enhanced visibility. This signage is easy to integrate into custom frames and doesn't require additional waterproofing or cooling measures, making it an excellent choice for outdoor advertising needs.

## INSTALLATION METHODS



# Technical Specifications

## LCD Display

Size	65	75
Active Display Area ( H x V mm )	1428.48 x 803.52	1649.664 x 927.936
Resolution	3840 x 2160	3840 x 2160
Brightness	2500 nits	3000 nits
Aspect Ratio	16 : 9	
Backlight Adjustment	Automatic (Ambient Light Sensor)	
Viewing Angle	178°/178°	
Backlight Configuration	Direct LED	
Operation Life (hours)	50,000	

## Mechanical

Enclosure Material	Galvanized Steel + Aluminum
Finishing	Zinc Powder Coating + Fine Grain Powder Coating
Colour	Black (Ral 9005)
Glass	AG Coating Tempered Glass, Back Painted Pantone Black C

## Power

AC Input	110~220VAC±10% , 50 / 60 Hz
Power Consumption	425w   580w

## Environment

IP Rating	IP66
Operating Environment	Fully Outdoor
Operating Temperature	-20°C~50°C
Operating Humidity	5%~98%
Operating Altitude	< 2000m

## Media

	( HDMI In ) Standard
HDMI Input	HDMI ( x 1 ), 480i, 480p, 720p, 1080i , 1080p , 2160p
Analog Audio Output	3.5mm Headphone Jack (x1)

## Certificate

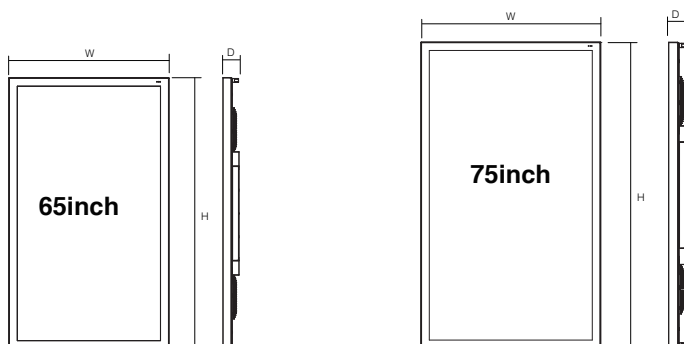
CE-EMC
CE-LVD
ROHS
IP66
IK08

## Optional

Touch
Android
Computer
Camera
NFC
RFID
Ultrasonic sensor

## Mechanical

W x H x D	902 x 1527 x 104 mm	1027x1748.5x104 mm
Net Weight	112kg	137kg





# FULLY OUTDOOR DIGITAL SIGNAGE

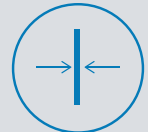
## E Series



IP Rating



High Brightness



Ultra Thin



Four Seasons

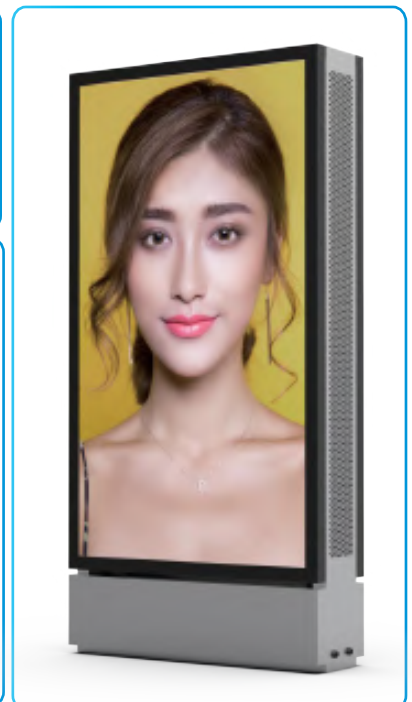
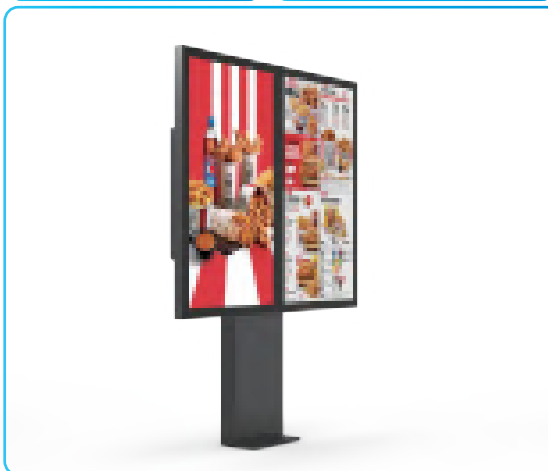


Horizontal & vertical



Tempered Glass

CDS offers a premium outdoor digital signage solution with a high-brightness LCD display, integrated high-temperature LCD, self-cooling design, and AG coating glass for enhanced visibility. This signage is easy to integrate into custom frames and doesn't require additional waterproofing or cooling measures, making it an excellent choice for outdoor advertising needs.



# Technical Specifications

## LCD Display

Size	32	43	49	55
Active Display Area ( H x V mm )	698.4 x 392.85	940.896 x 529.254	1075 x 606.5	1209.6 x 680.4
Resolution	1920 x 1080	1920 x 1080	1920 x 1080	1920 x 1080
Brightness	2000 nits	2500 nits	4000 nits	4500 nits
Aspect Ratio	16 : 9			
Backlight Adjustment	Automatic (Ambient Light Sensor)			
Viewing Angle	178°/178°			
Backlight Configuration	Direct LED			
Operation Life (hours)	50,000			

## Certificate

CE-EMC  
CE-LVD  
ROHS  
IP66  
IK08

## Mechanical

Enclosure Material	Aluminum
Finishing	Fine Grain Powder Coating
Colour	Black (Ral 9005)
Glass	Tempered Glass, Back Painted Pantone Black C

## Optional

Touch  
Android  
Computer  
Camera  
NFC  
RFID  
Ultrasonic sensor

## Power

AC Input	110 VAC / 220 VAC ±10% , 50 to 60 Hz			
Power Consumption	105w	200w	280w	325w

## Environment

IP Rating	IP66
Operating Environment	Fully Outdoor
Operating Temperature	-20°C~50°C
Operating Humidity	5%~98%
Operating Altitude	< 2000m

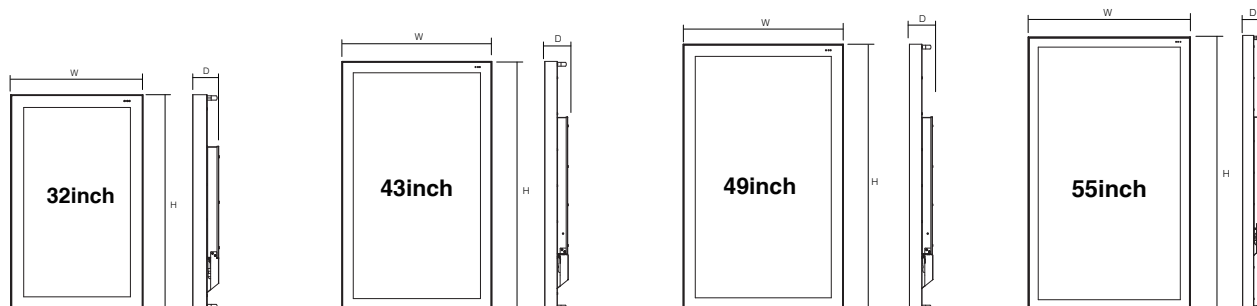
## Media

( HDMI In ) Standard

HDMI Input	HDMI ( x 1 ), 480i, 480p, 720p, 1080i , 1080p , 2160p
Analog Audio Output	3.5mm Headphone Jack (x1)

## Mechanical

W x H x D	795 x 489.5 x 96 mm	1037.5 x 626 x 98 mm	703.5 x 1172 x 98 mm	1306 x 777 x 95.8 mm
Net Weight	22kg	35kg	41kg	50kg



## Need any additional information?

If you need any assistance with pricing information, technical support or require any additional information our team would be more than happy to assist



### **CONTACT US:**

Crystal Display Systems Ltd  
Unit 6 M2M Park, Fort Bridgewood  
Maidstone Road, Rochester,  
Kent. ME1 3DQ

T : +44(0) 1634 791600

E : [info@crystal-display.com](mailto:info@crystal-display.com)

W : [crystal-display.com](http://crystal-display.com)

**SPECIALIST GLOBAL SUPPLIERS IN INNOVATIVE LCD  
DISPLAY, TOUCH AND DIGITAL SIGNAGE SOLUTIONS**

E&OE - Specifications may be subject to change without prior notice