

SPECIFICATION

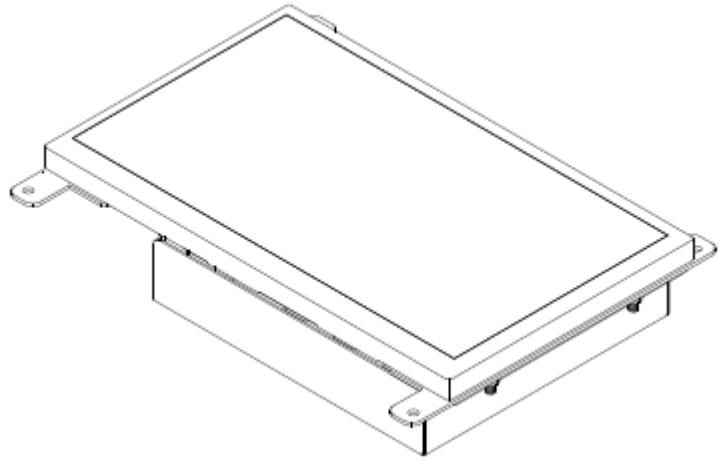
MO-070-002Z/T

7" 16:9 1024x600px, 400cd/m² PCAP touch monitor

Dated: 14th November 2022

FEATURES

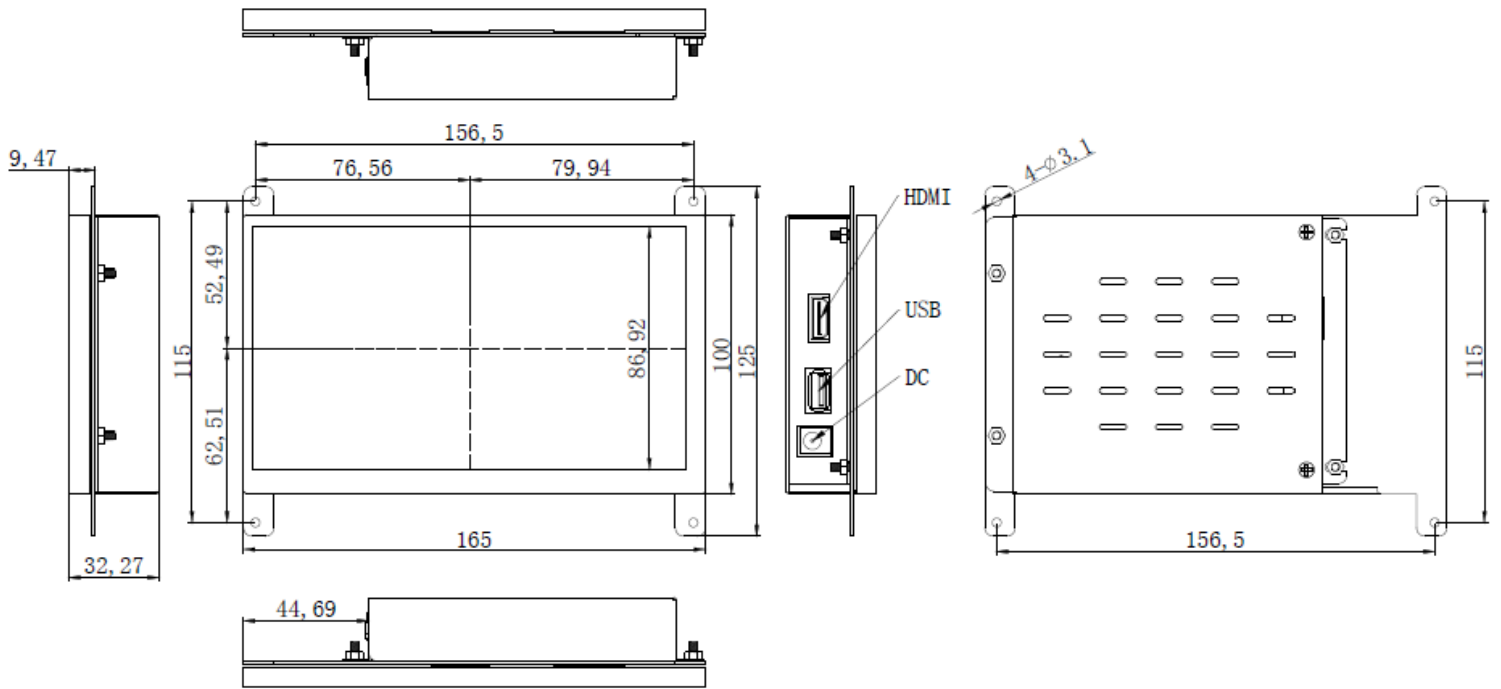
- 7" 16:9 LED
- 89/89/89/89 Viewing angle
- PCAP touchscreen
- HDMI input



SPECIFICATION

| | |
|-----------------------|--------------------------|
| Screen diagonal | 7 inches |
| Overall size | 165 x 125 x 32.27mm |
| Active area | 154.21 x 85.92mm |
| Screen max resolution | 1024 x 600px |
| Brightness | 400cd/m ² |
| Contract ratio | 800:1 |
| Viewing Angle H/V | 80° / 80° / 80° / 80° |
| Inputs | HDMI x 1 / USB A (Touch) |
| Power input | 12V DC |

DRAWING



Need any additional information?

If you need any assistance with pricing information, technical support or require any additional information our team would be more than happy to assist.



CONTACT US:

Crystal Display Systems Ltd
Unit 6 M2M Park, Fort Bridgewood,
Maidstone Road, Rochester, Kent
ME1 3DQ
United Kingdom

T: +44 (0) 1634 791600
E: info@crystal-display.com
W: crystal-display.com

**SPECIALIST GLOBAL SUPPLIERS IN INNOVATIVE LCD
DISPLAY SOLUTIONS AND DIGITAL SIGNAGE SOLUTIONS**

*E & OE. Specifications may be subject to change without prior notice

More information can be found at:
crystal-display.com