



# SPECIFICATION

---

## **IPPS-21.5" Narrow Bezel Series**

21.5" IP65 P-CAP Panel PC

# IPPS-21.5" Narrow Bezel Series

## 21.5" IP65 P-CAP Panel PC



Waterproof

Touch  
Screen

Fanless

- 21.5" LCD, 1920 x 1080 pixel
- 10 points P-CAP touch screen
- Front IP 65
- True Flat Design
- Fanless Design

### Product Specification

System color	Silver or dark grey	
Machanical	Heavy-duty steel	
	<b>IPPS-2152</b>	<b>IPPS-2118</b>
Display	Wide 21.5" Full HD TFT LCD	
Display type	Wide 21.5" Full HD TFT LCD	
Display area (mm)	476.6(H) x 268.1(V) mm	
Aspect ratio	16:9	
Resolution	1920 x 1080 pixel	
Luminance/Brightness	250 cd/m <sup>2</sup>	1600 cd/m <sup>2</sup>
Color	16.7M	16.7M
Color saturation (NTSC)	72%	84%
Pixel pitch (H/V)	0.24825mm x 0.24825mm	
Contrast ratio	3000 : 1 (typ.)	900 : 1 (typ.)
Response time (Typical)	18ms	5ms
Viewing angle (H/V)	178°/178° (typ.)	170°/160° (typ.)
Backlight MTBF	30,000 hrs (typ.)	100,000 hrs (typ.)
Touch screen type	P-CAP 10 points touch screen	
LCD Power consumption	15.2W	36W
Environment	Front IP65	
IP level	Front IP65	
Operating temperature	0°C ~ 50°C (-20°C optional)	
Storage temperature	-20°C ~ 60°C	
Relative humidity	0% ~ 90% (non-condensing)	
Dimensions(w/o BOX PC)	563.4mm(W) x 33mm(D) x 354.9mm(H)	
Weight(w/o BOX PC)	5.7 kg	

### Optional

Power cord	US/EUR/UK/JP
Power adapter	90~264VAC.60W ADAPTER (VL22002000AH)

## Mix and Match with

B Type



C Type



D Type

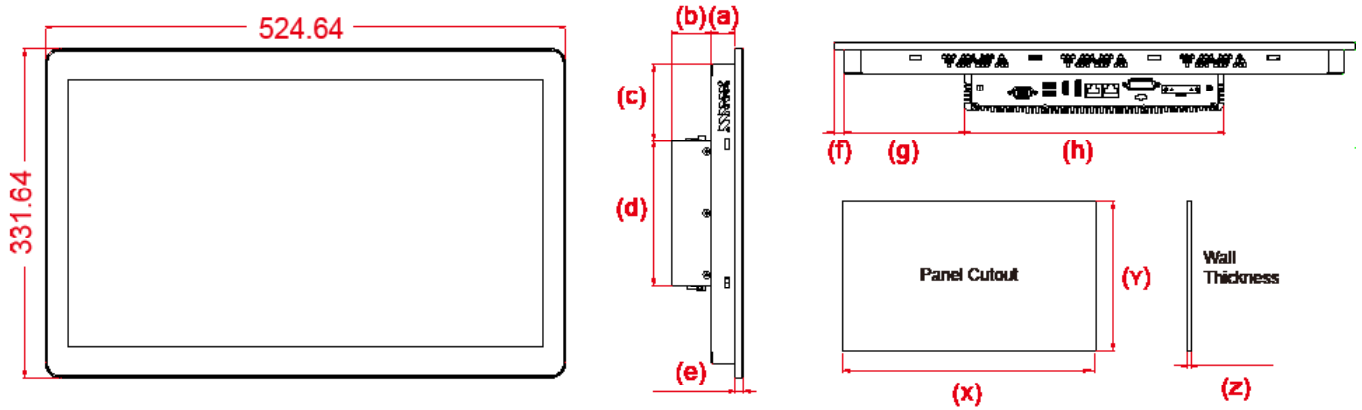


E Type





## Dimensions



	Dimensions (mm)								Cut Size (mm)			
	(a)	(b)	(c)	(d)	(e)	(f)	(g)	(h)	(X)	(Y)	(Z Min.)	(Z Max.)
B Type	31.8	35	74.1	117.7	8	18.1	89.4	169	519.5	315.3	1	3
C Type	31.8	49.8	72.9	123.2	8	18.1	84.9	178				
D Type	31.8	44.5	62.5	146	8	18.1	43.4	261				
E Type	31.8	63.9	60.1	146	8	18.1	43.9	260				

## Ordering Information

IBOX Type	System Type	Panel Type	Form Platform	Chassis Type	Touch Type	*CPU ID	Accessory serial number
B Type	IPPS	- 2152 / 2118 -	BYT1 - BSW1 APL7 SKL2	BPNO	-	1~3 1~4 1~5 1~4	000
C Type	IPPS	- 2152 / 2118 -	BYT1 - BSW1 APL7 SKL2	CPNO	-	1~3 1~4 1~5 1~4	000
D Type	IPPS	- 2152 / 2118 -	BYT1 - BSW1 APL7 SKL2	DPNO	-	1~3 1~4 1~5 1~4	000
E Type	IPPS	- 2152 / 2118 -	SKL2 - HSW1	EPNO	-	1~3 1~2	000

B Type : IPPS-2152-BYT1-BPNO-1000  
 ↑  
 Modular Panel PC  
 Mix and Match Yourself  
 ↓  
 E Type : IPPS-2118-HSW2-EPNO-2000

*CPU ID	BYT1	BSW1	SKL2	HSW1	APL7
1	E3825	N3010	3955	i3-4102E	E3930
2	E3845	N3060	i3-6100	i5-4402E	E3940
3	J1900	N3160	i5-6300		E3950
4		N3710	i7-6600		N3350
5					N4200

## Need any additional information?

If you need any assistance with pricing information, technical support or require any additional information our team would be more than happy to assist.



### **CONTACT US:**

Crystal Display Systems Ltd  
Unit 6 M2M Park, Fort Bridgewood,  
Maidstone Road, Rochester, Kent  
ME1 3DQ  
United Kingdom

T: +44 (0) 1634 791600  
E: [info@crystal-display.com](mailto:info@crystal-display.com)  
W: [crystal-display.com](http://crystal-display.com)

SPECIALISTS IN INNOVATIVE LCD DISPLAY SOLUTIONS

---

\*E & OE. Specifications may be subject to change without prior notice

More information can be found at:

[crystal-display.com](http://crystal-display.com)