



FEATURES

Existing Industry standard designs available from CDS as standard open frame monitor products with touchscreen and High Bright options

SIZES INCLUDE

Widescreen 16:9 ratio
11.6", 21.5", 22", 23.8", 27",
32", 43"

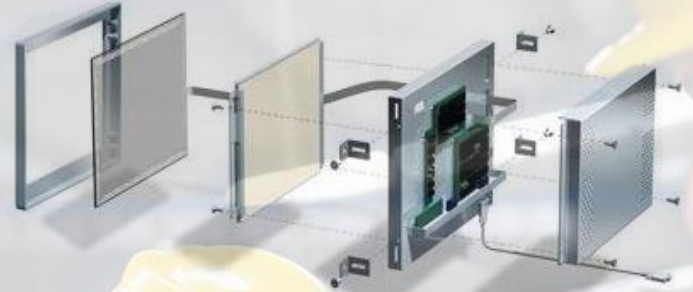
Traditional 4:3 ratio
10.4", 15", 17", 19"

CDS STANDARD OPEN FRAME INDUSTRIAL MONITORS

Crystal Display Systems has one of the largest selection of standard open frame monitors available from stock globally give you a product to meet your requirements TODAY

WANT A QUICK EASY TO SOURCE MONITOR TO DESIGN IN?

Then the CDS range is for you



The included products are commercial grade Open Frame monitors and touchscreen monitors designed for integration into many applications. The high resolution, full HD and other resolution displays deliver an outstanding image quality and reliability. The Monitors are suitable for a wide array of applications including HMI, Gaming, and kiosk etc. which coupled with in-house technical support, stockholding, and a comprehensive after sales service, give the best value open frame solutions on the market.



CDS's PCAP+ touchscreen technology allows a sacrificial layer to be placed in front for the sensor giving ultimate resilience and design flexibility with customisation also possible subject to some minimum order Quantities and can include PCAP + 10-point Touch Enables an extra cover glass of 6mm (for rugged installs), customisable boot LOGO (on request) to personalise your product. Monitors can include easy Mechanical Design optimised for integration (VESA + Side mount), Auto Power On, Auto Source, Auto Colour (Separate Keypad for Security), giving the best cost and performance on the market.



Technical specification overview table: 10.4" - 17"

Model	MO-104-002Z/TV2 TOUCHSCREEN	MO-116-450-A/PT TOUCHSCREEN	MO-150-OB-1000-IP65-APTV2 OPTICALLY BONDED IP65 TOUCHSCREEN	MO170-OB-800-A/PT OPTICALLY BONDED TOUCHSCREEN
Diagonal (inches)	10.4"	11.6"	15"	17"
Panel Brightness (cd/m ²) Typ	350 cd	450 cd	1000 cd	800 cd
Aspect Ratio	4:3	16:9	04:03	4:3
Resolution	1024 x 768	1920 x 1080	1024 x 768	1280 x 1024
Active Area (w x h mm)	212.2 x 159.4	256.32 x 144.18	304.12 x 228.09	337.92 x 270.34
Unit Dimensions (w x h x d mm)	252 x 189.4 x 42	288.3 x 186 x 30.7	348.7 x 272.6 x 45.9	384 x 316.4 x 47
VESA Mounting (w x h mm)	75 x 75	100 x 100	100 x 100	75 x 75
Power	9-36V input (Rated input voltage 12-24 volts DC) Nominal current 1A, 24	Ext 12Vdc	Ext 12Vdc	Ext 12Vdc
Viewing Angle (typ)	160 / 160	176 / 176	160 / 160	170 / 160
Interface	VGA / HDMI	HDMI	VGA / DVI-D	VGA / DVI / HDMI
Integrated Touchscreen?	YES - USB	YES - USB	Yes - USB	YES - USB
NOTES	MTBF of monitor is 50,000 hours	-20~70°C (non-condensation) operating temperature. MTBF of monitor is 50,000 hours	-20~70°C (non-condensation) operating temperature	-20~70°C (non-condensation) operating temperature. 6mm AG PCAP

Technical specification overview table: 19" - 21.5"

Model	MO-190-1-ZXI	MO-190-2-ZXI	MO-190-3-ZXI	MO-215-1-ZXI	MO-215-002-S AND /Touch	MO-215-250-PT/A DESKTOP TOUCHSCREEN MONITOR
Diagonal (inches)	19"	19"	19"	21.5"	21.5"	21.5"
Panel Brightness (cd/m ²) Typ	250 cd	250 cd	250 cd	250 cd	250 cd	250 cd
Aspect Ratio	4:3	4:3	4:3	16:9	16:9	16:9
Resolution	1280 x 1024	1280 x 1024	1280 x 1024	1920 x 1080	1920 x 1080	1920 x 1080
Active Area (w x h mm)	376.32 x 301.06	376.32 x 301.06	376.32 x 301.06	474.5 x 266.3	477 x 269	474.5 x 266.3
Unit Dimensions (w x h x d mm)	432 x 324 x 52.5	424.6 x 331 x 51.5	436.5 x 326.5 x 51	543.9 x 299.5 x 51.5	516 x 311 x 40.1	518 x 313.9 x 45.5
VESA Mounting (w x h mm)	NO	NO	NO	NO	100 x 100	75 x 75 & 100 x 100
Power	Ext 12Vdc	Ext 12Vdc	Ext 12Vdc	Ext 12Vdc	Ext 12Vdc	Ext 12Vdc ?
Viewing Angle (typ)	178 / 178	178 / 178	178 / 178	178 / 178	178 / 178	178 / 178
Interface	VGA / DVI	VGA / DVI	VGA / DVI	VGA / DVI	VGA / HDMI / DP	VGA / DVI
Integrated Touchscreen?	NO	NO	NO	YES - USB	YES - USB for touch version	YES - USB
NOTES					Thin 1.8mm touchscreen, ideal for coverglass integration, but thicker 6mm touch available upon request	

Technical specification overview table – 22” – 32”

Model	MO-220-1-ZXI	MO-238-1-ZXI	MO-238-2-ZXI	MO-270-003-Z AND /Touch	MO-320-HB-1000-A/PT 4K
Diagonal (inches)	22"	23.8"	23.8"	27"	32"
Panel Brightness (cd/m ²) Typ	250 cd	250 cd	250 cd	250 cd	1000 cd
Aspect Ratio	16:10	16:9	16:9	16:9	16:9
Resolution	1920 x 1200	1920 x 1080	1920 x 1080	1920 x 1080	3840 X 2160
Active Area (w x h mm)	473.76 x 296.1	527.04 x 296.46	527.7 x 297.5	598 x 337.2	699.6 x 393.95
Unit Dimensions (w x h x d mm)	496 x 326.5 x 42.5	558 x 327 x 48.5	563.5 x 317.5 x 56	644.2 x 388.4 x 39.6	764 x 459 x 59
VESA Mounting (w x h mm)	NO	100 x 100	75 x 75	200 x 100	200 x 200
Power	Ext 12Vdc	Ext 12Vdc	Ext 12Vdc	Ext 12Vdc	Ext 12Vdc
Viewing Angle (typ)	170 / 160	178 / 178	178 / 178	178 / 178	178 / 178
Interface	VGA / DVI	VGA / DVI	VGA / DVI	HDMI / DVI / VGA	2 x HDMI 2 x DP ?
Integrated Touchscreen?	NO	NO	YES - USB	YES - USB for touch version	YES - USB
NOTES				Thin 1.8mm touchscreen, ideal for coverglass integration, but thicker 6mm touch available upon request.	3mm touch (but thicker 6mm touch available upon request but bezel would be redesigned.

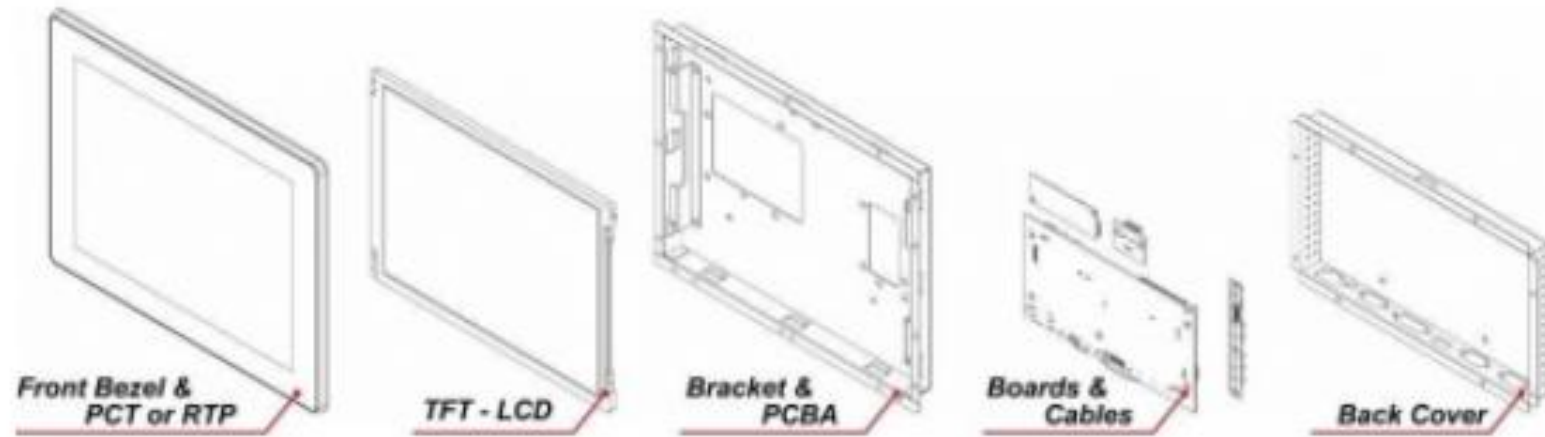
Technical specification overview table – LED HALO Range

Model	HL-270-002-ZT	HL-430-001-ZTX
Diagonal (inches)	27"	43"
Panel Brightness (cd/m ²) Typ	250cd	300cd
Aspect Ratio	16:9	16:9
Resolution	1920 x 1080	3840 x 2160
Active Area (w x h mm)	598 x 336	942 x 530
Unit Dimensions (w x h x d mm)	657 x 395 x 59.95	1046 x 640 x 77
VESA Mounting (w x h mm)	100 x 100	400 x 400
Power	Ext 240 V AC ?	Ext 240 V AC ?
Viewing Angle (typ)	178 / 178	178 / 178
Interface	HDMI / DVI	HDMI / DP
Integrated Touchscreen?	YES - USB	YES - USB
NOTES	integrated LED controller can be included or not	integrated LED controller can be included or not

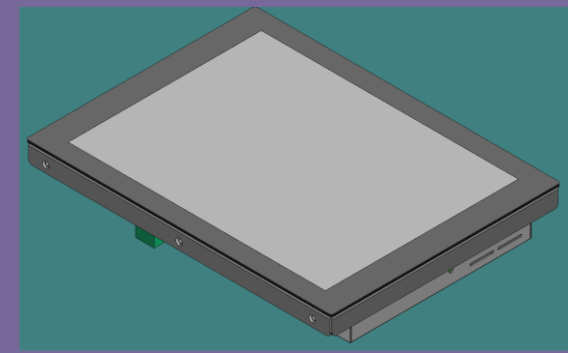
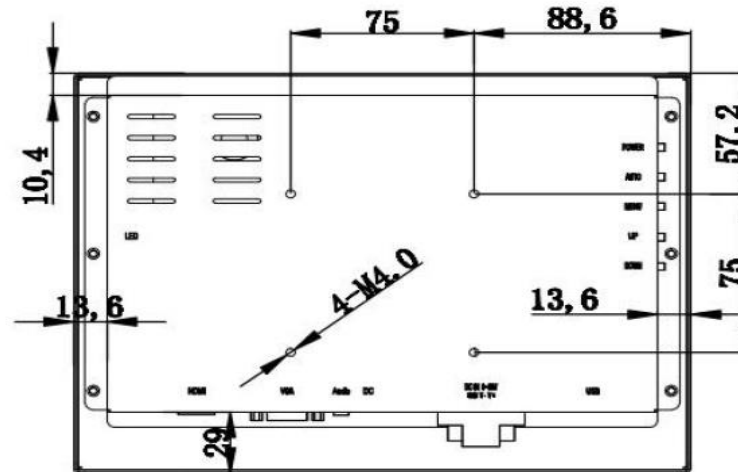
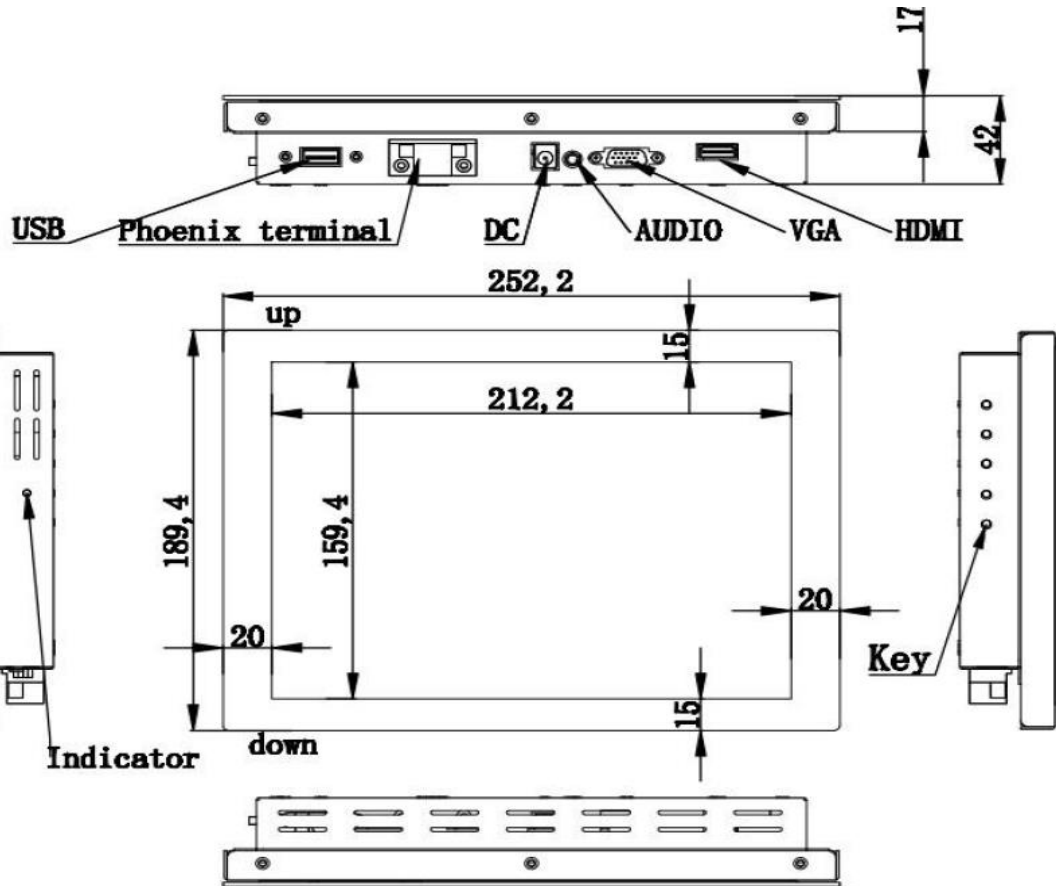
CDS Monitor

Mechanical drawings

Example breakdown of a custom monitor



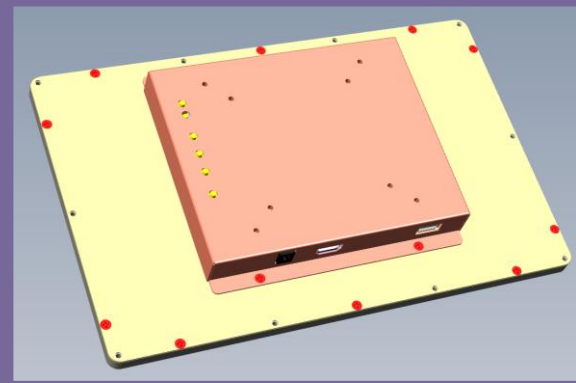
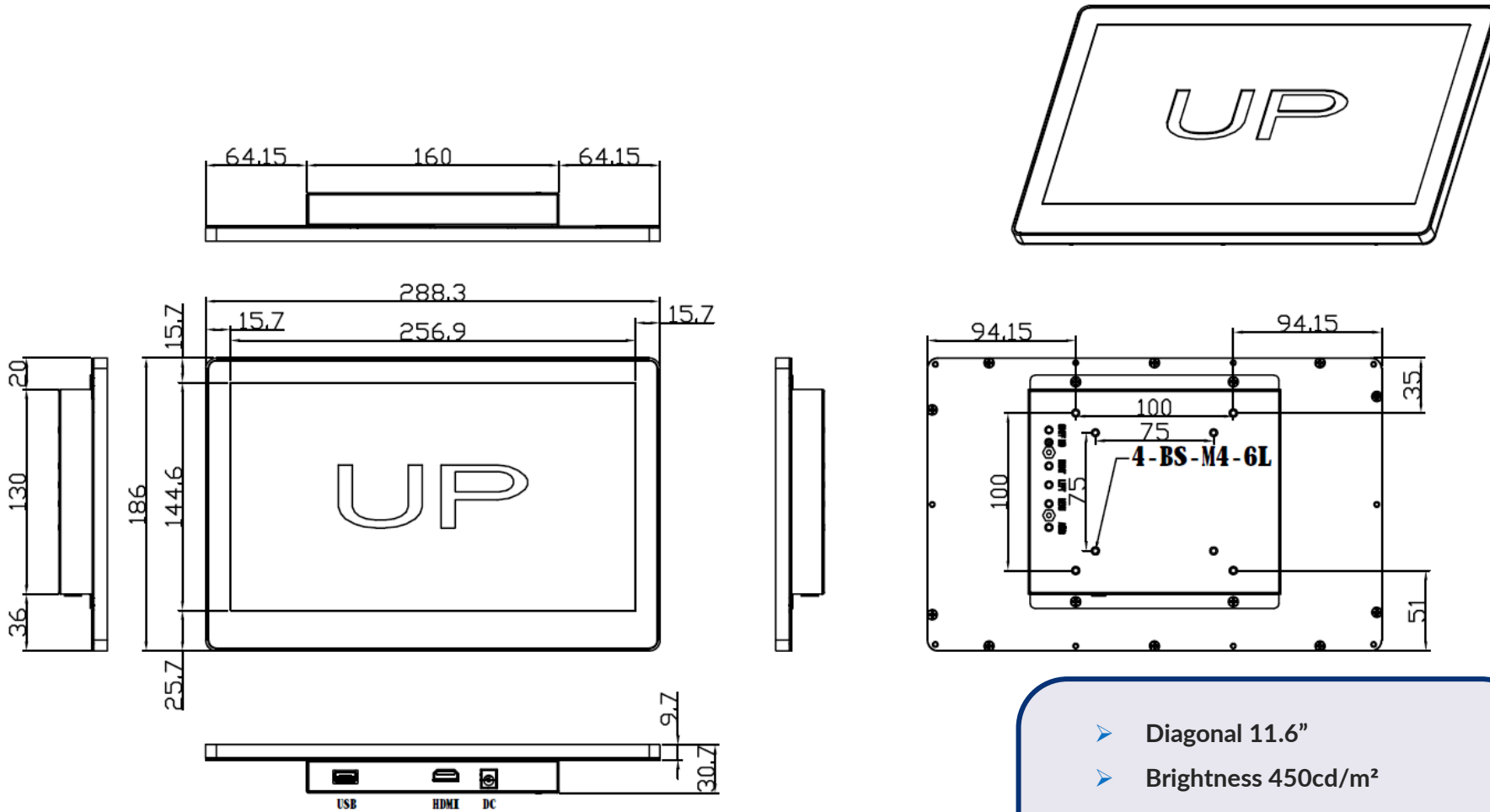
Technical drawing 10.4" 104-002-ZT V2



-20~70°C (non-condensation) operating temperature. MTBF of monitor is 50,000 hours

- Diagonal 10.4"
- Brightness 350cd/m²
- Ratio 4:3
- Resolution 1024 x 768
- Viewing angle 160°/160°

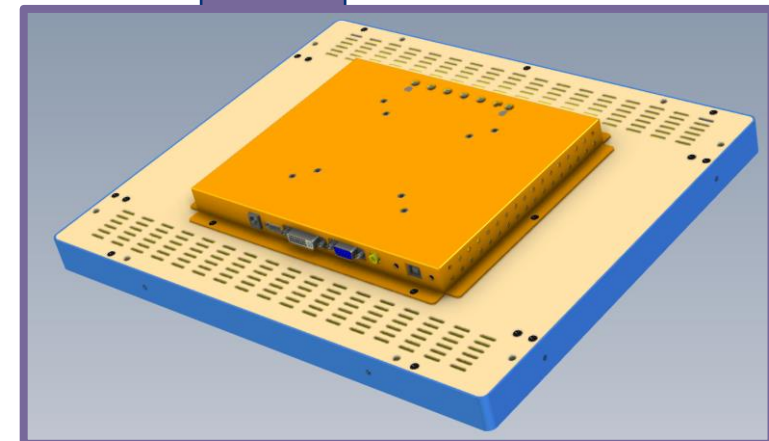
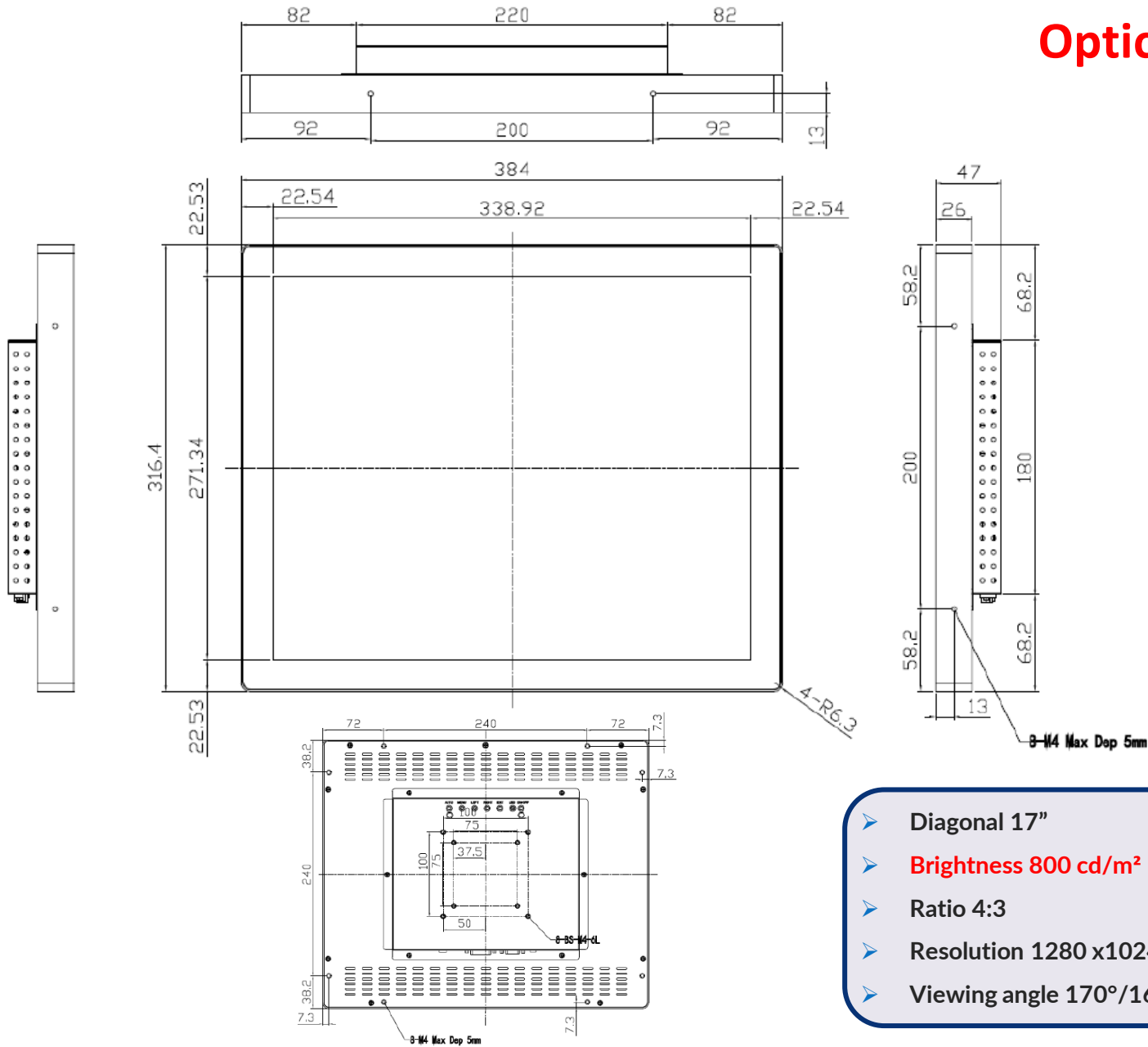
Technical drawing 11.6" MO-116-450-A/PT



- Diagonal 11.6"
- Brightness 450cd/m²
- Ratio 16:9
- **Resolution 1920x1080**
- Viewing angle 176°/176°

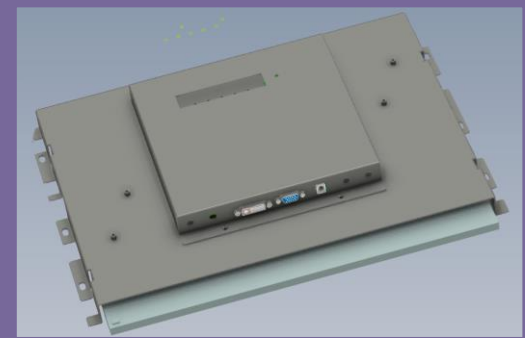
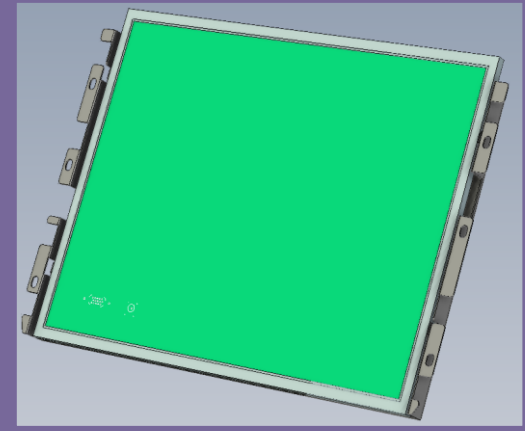
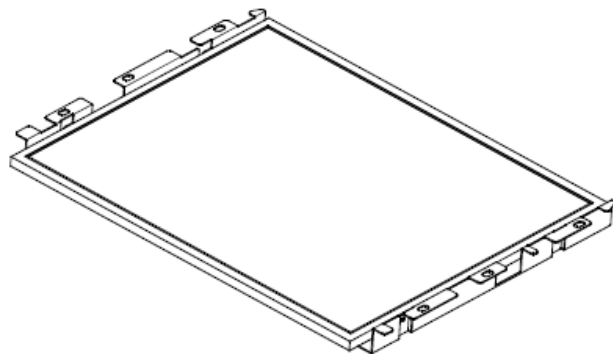
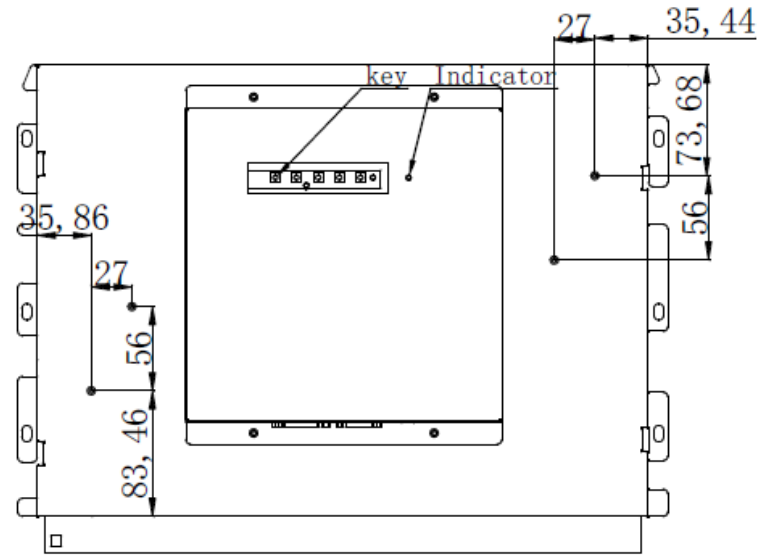
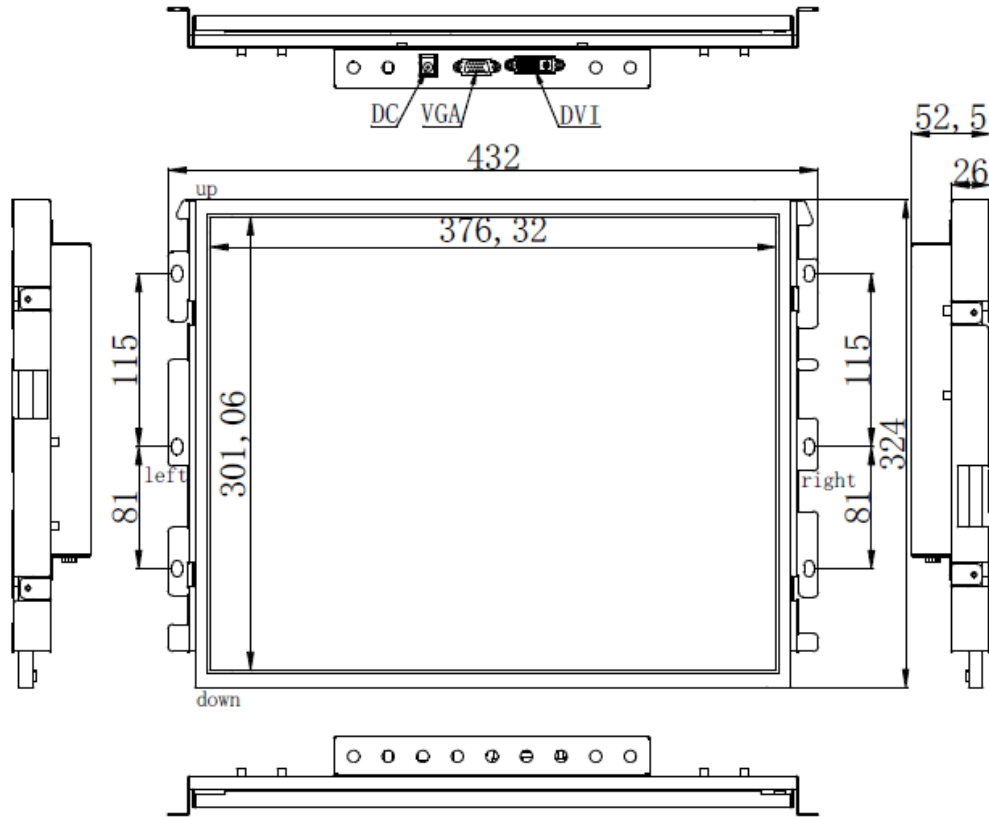
Technical drawing 17" MO170-OB-800-A/PT

Optically bonded



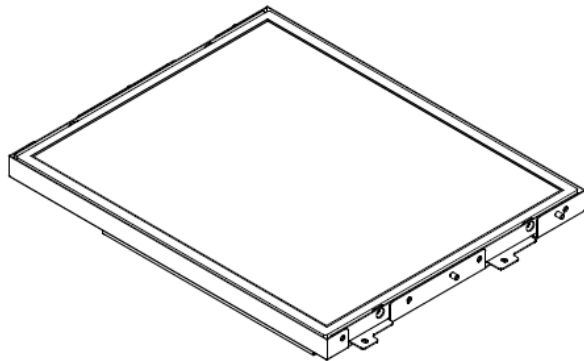
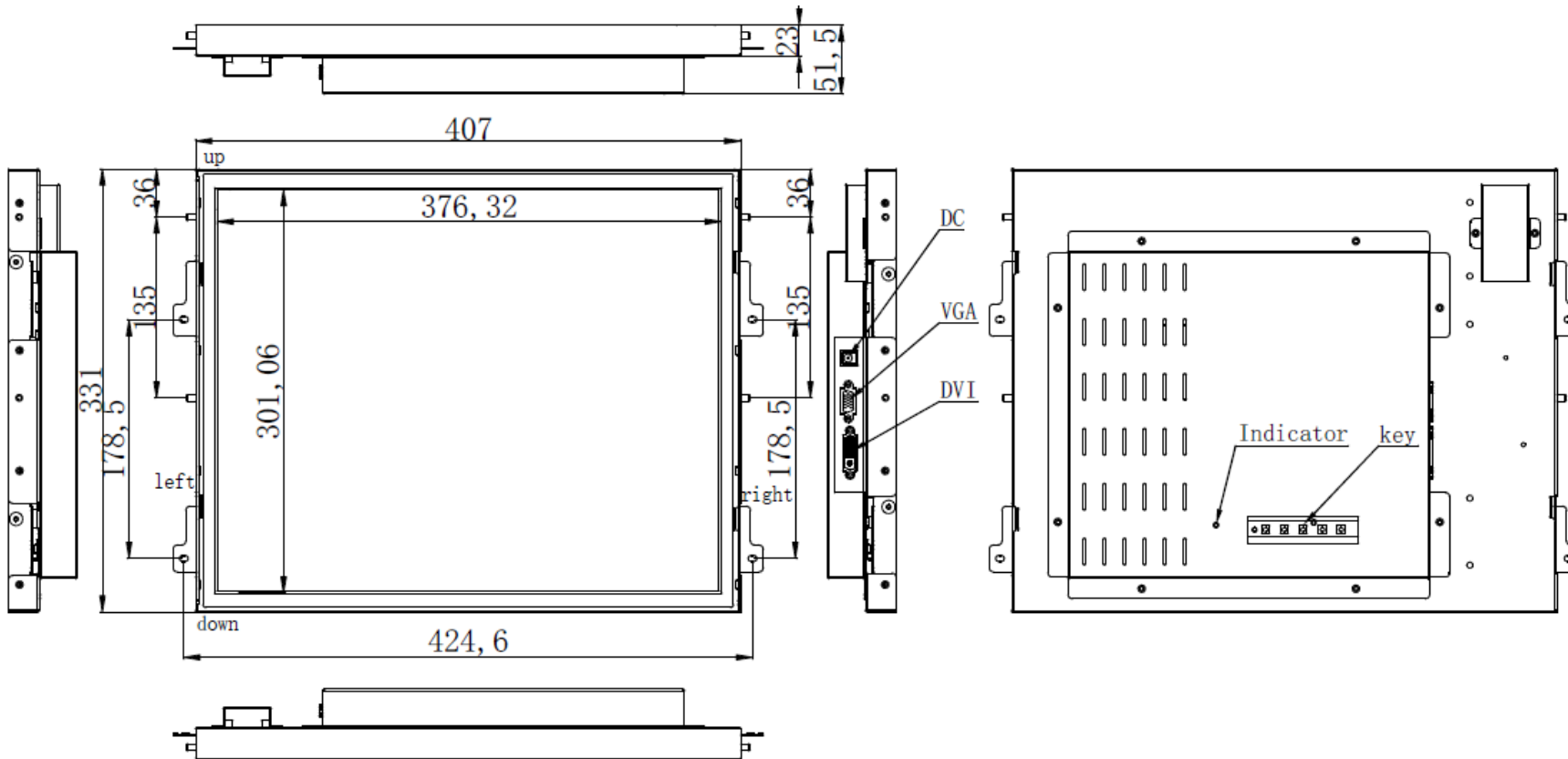
- Diagonal 17"
- **Brightness 800 cd/m²**
- Ratio 4:3
- Resolution 1280 x1024
- Viewing angle 170°/160°

Technical drawing 19" MO-190-1-ZXI

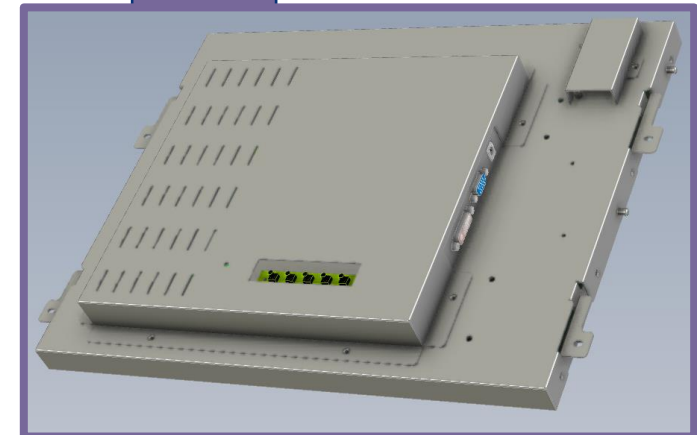


- Diagonal 19"
- Brightness 250cd/m²
- Ratio 4:3
- Resolution 1280 x1024
- Viewing angle 178°/178°

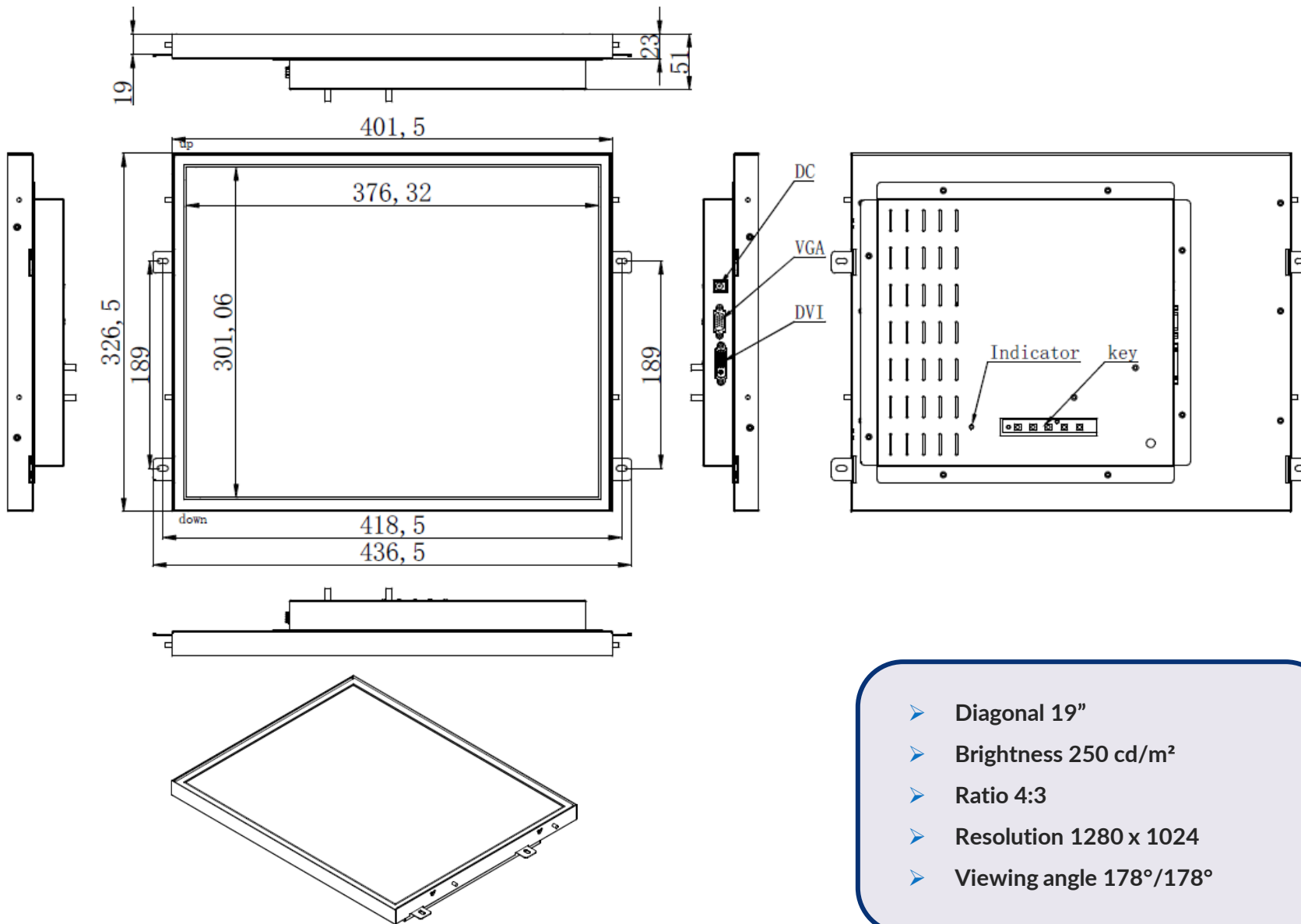
Technical drawing 19" MO-190-2-ZXI



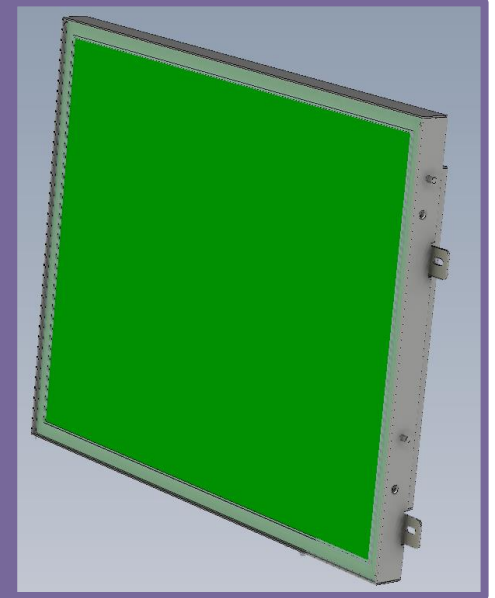
- Diagonal 19"
- Brightness 250 cd/m²
- Ratio 4:3
- Resolution 1280x1024
- Viewing angle 178°/178°



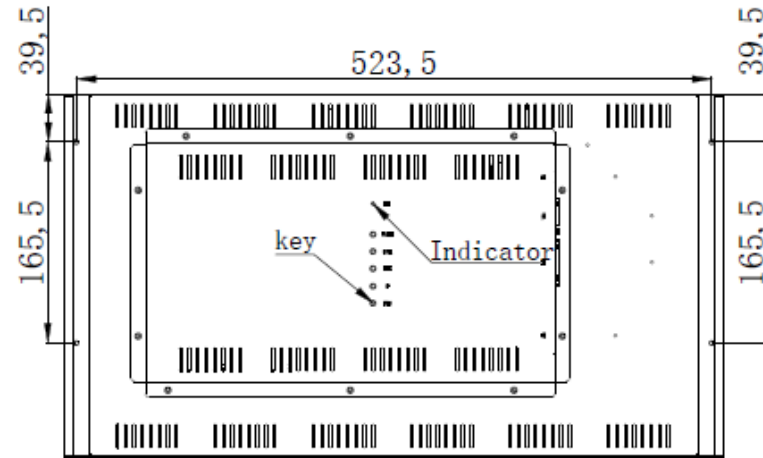
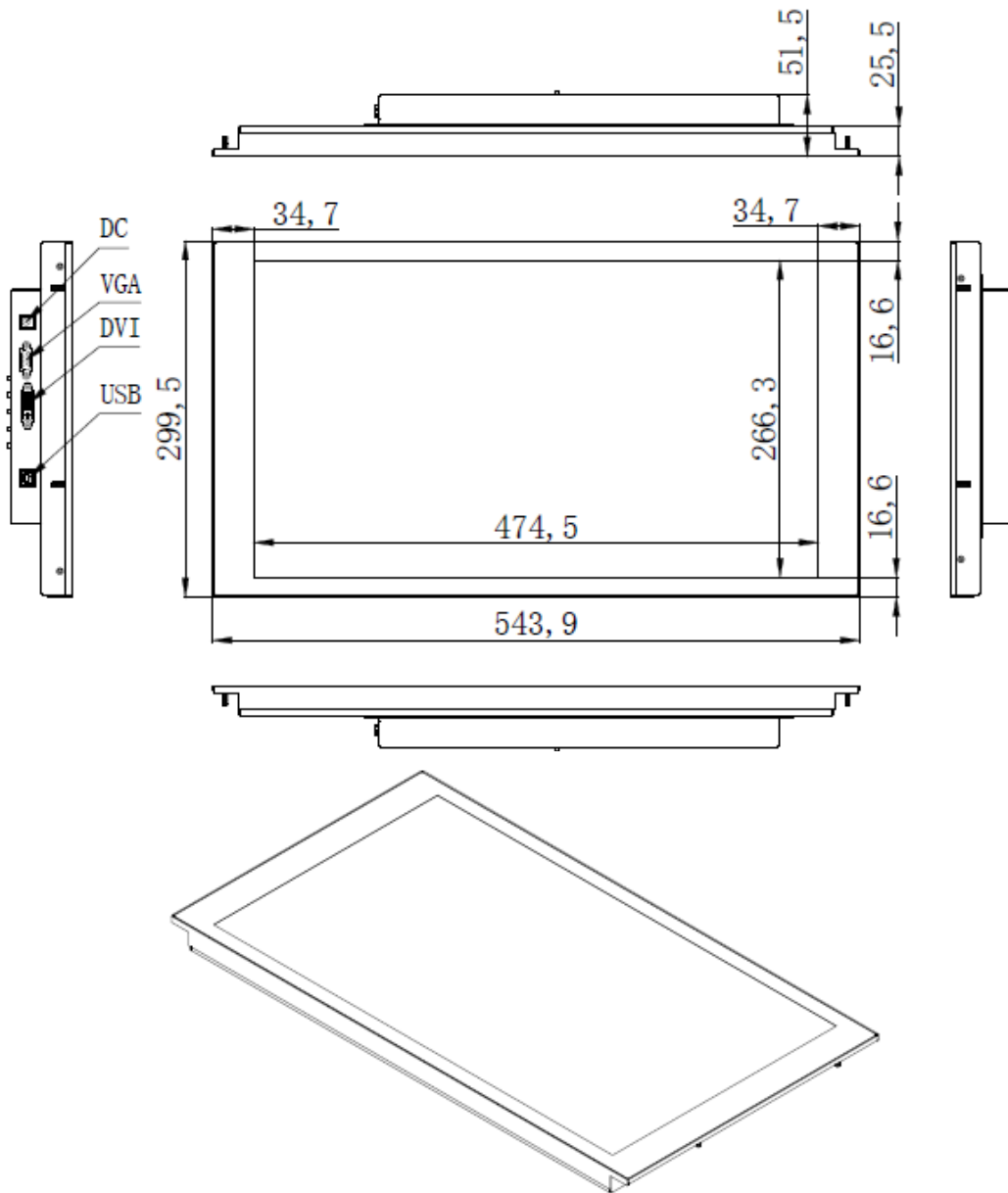
Technical drawing 19" MO-190-3-ZXI



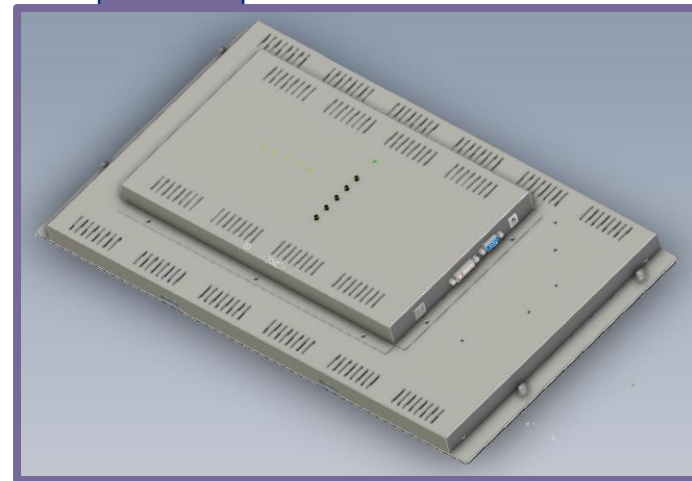
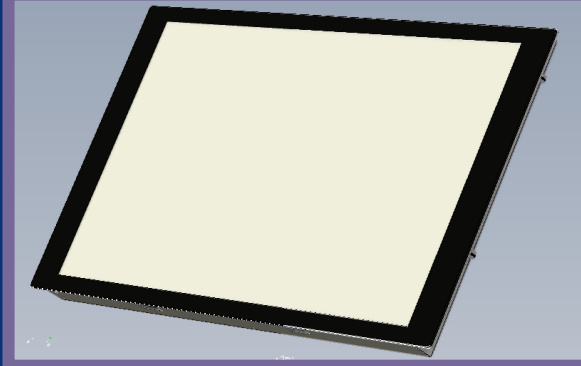
- Diagonal 19"
- Brightness 250 cd/m²
- Ratio 4:3
- Resolution 1280 x 1024
- Viewing angle 178°/178°



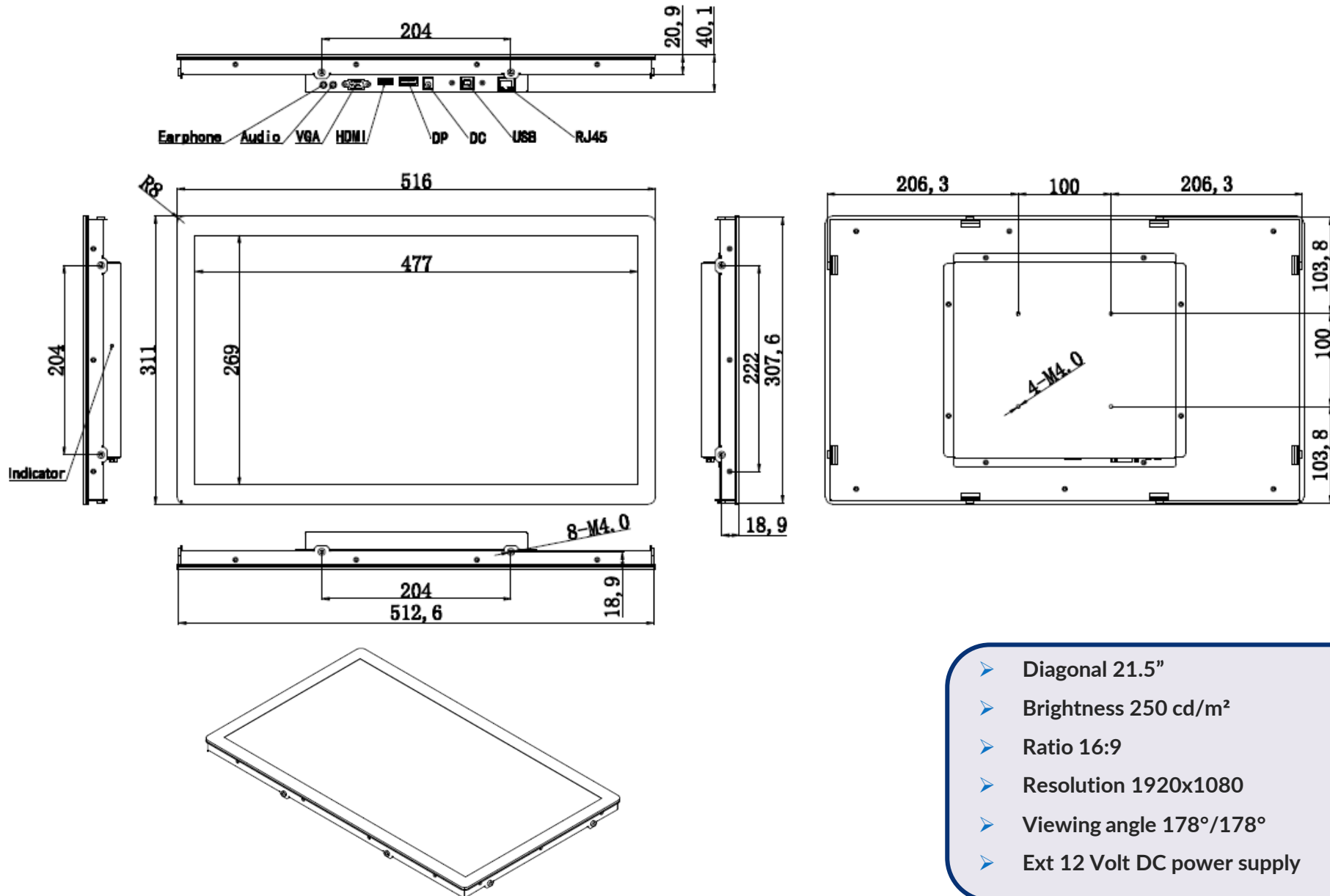
Technical drawing MO-215-1-ZXI



- Diagonal 21.5"
- Brightness 250 cd/m²
- Ratio 16:9
- Resolution 1920 x 1080
- Viewing angle 178°/178°
- 10pt PCAP Touch

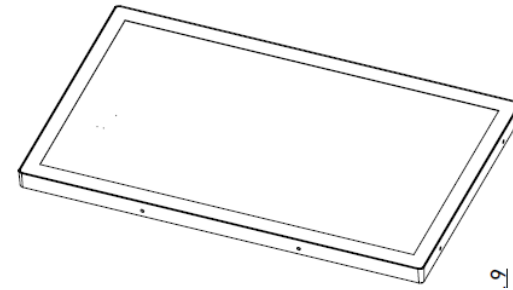
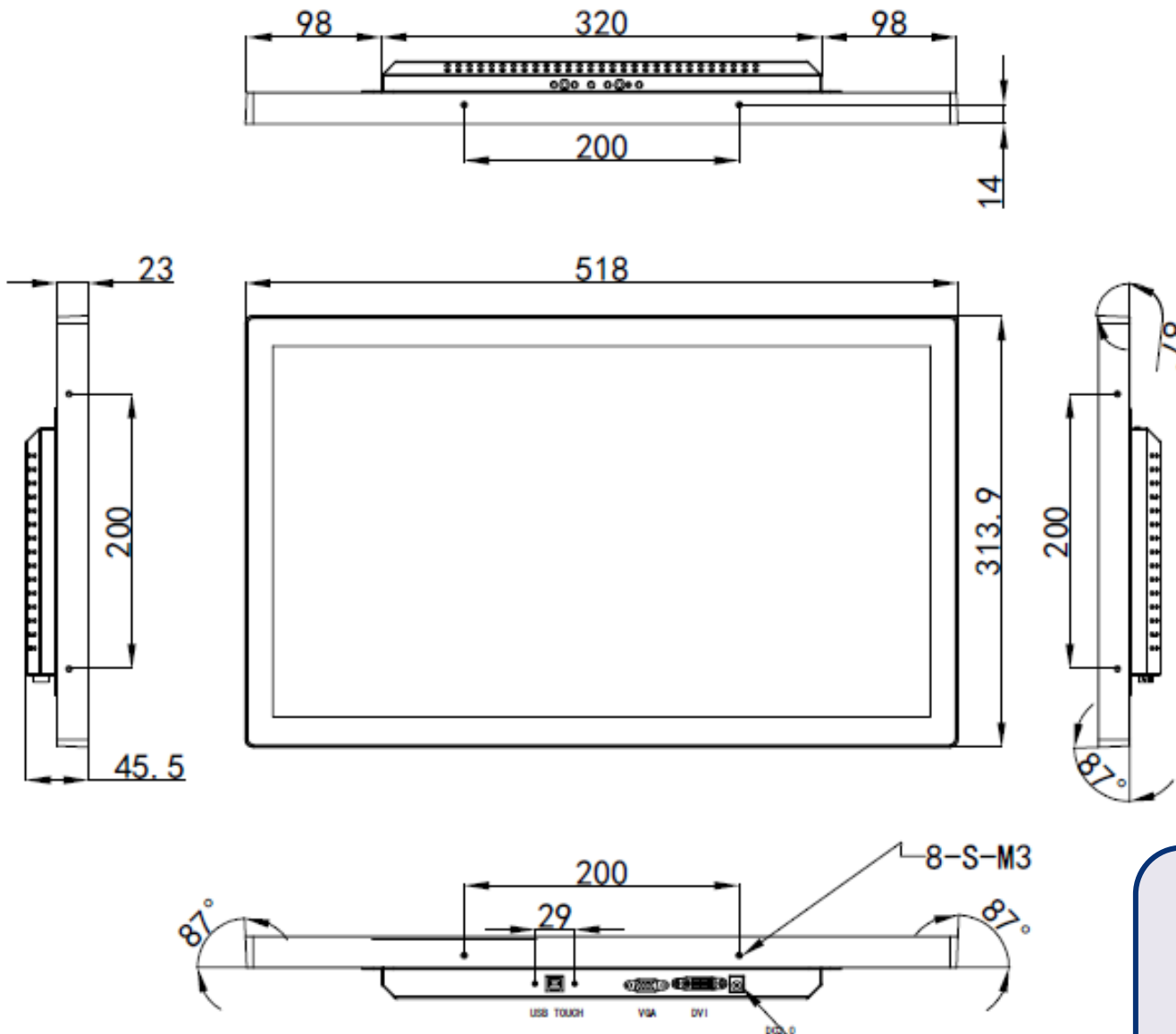


Technical drawing 21.5" MO-215-002-S(/T) (touch AND non touch)



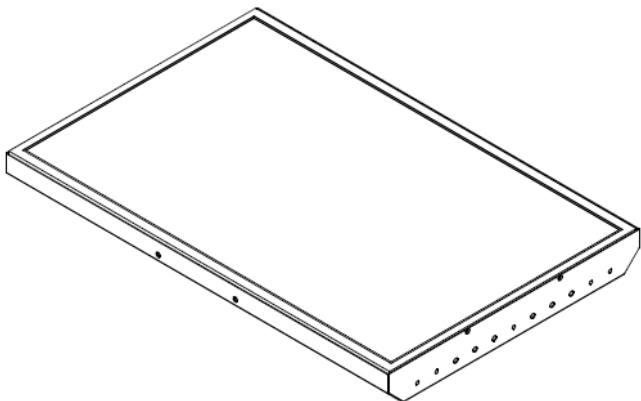
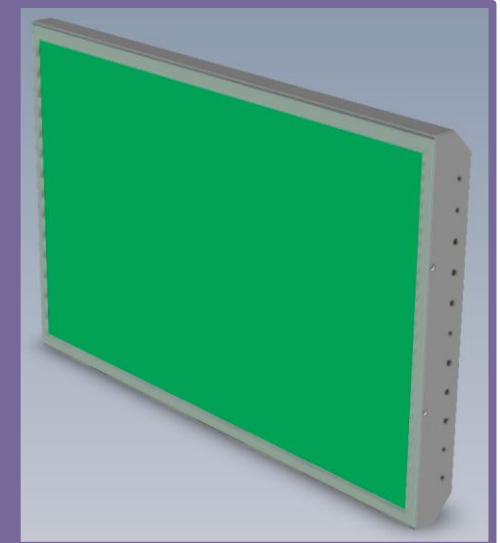
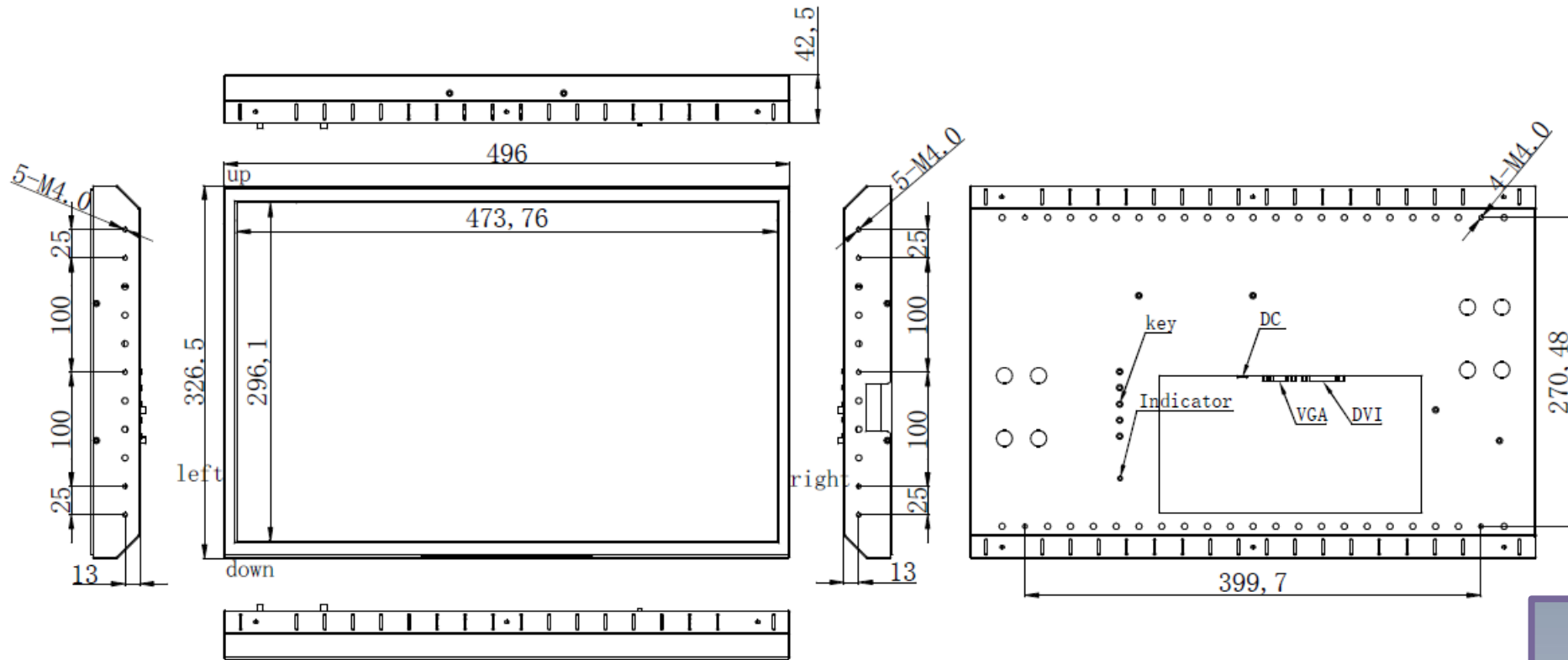
- Diagonal 21.5"
- Brightness 250 cd/m²
- Ratio 16:9
- Resolution 1920x1080
- Viewing angle 178°/178°
- Ext 12 Volt DC power supply

Technical drawing " MO-215-250-PTA (Industrial Desktop monitor)

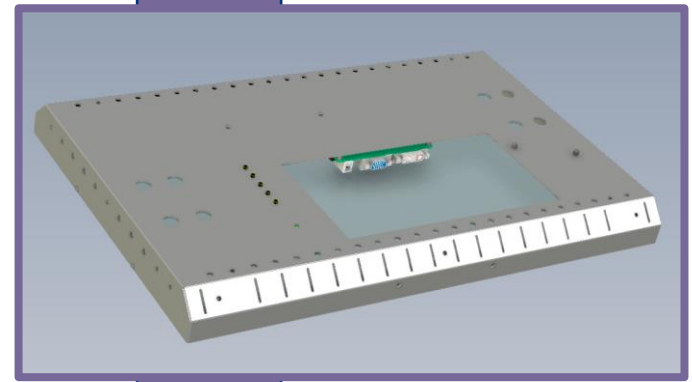


- Diagonal 21.5"
- Brightness 250cd/m²
- Ratio 16:9
- Resolution 1920 x 1080
- Viewing angle 178°/178°

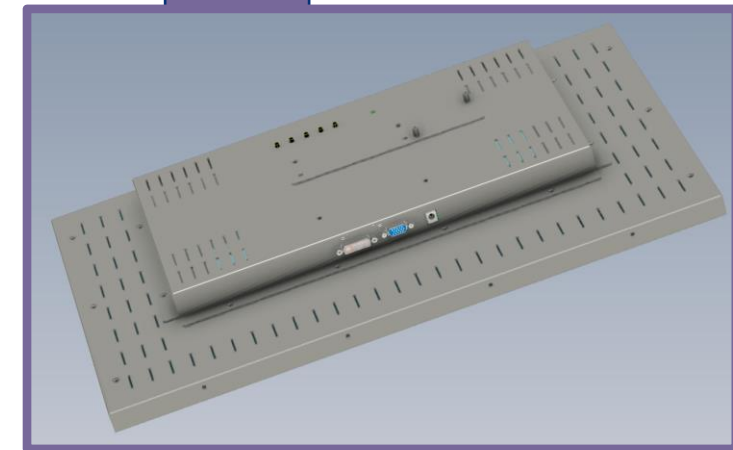
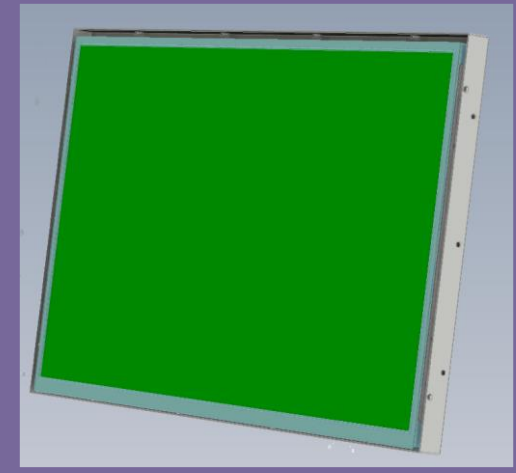
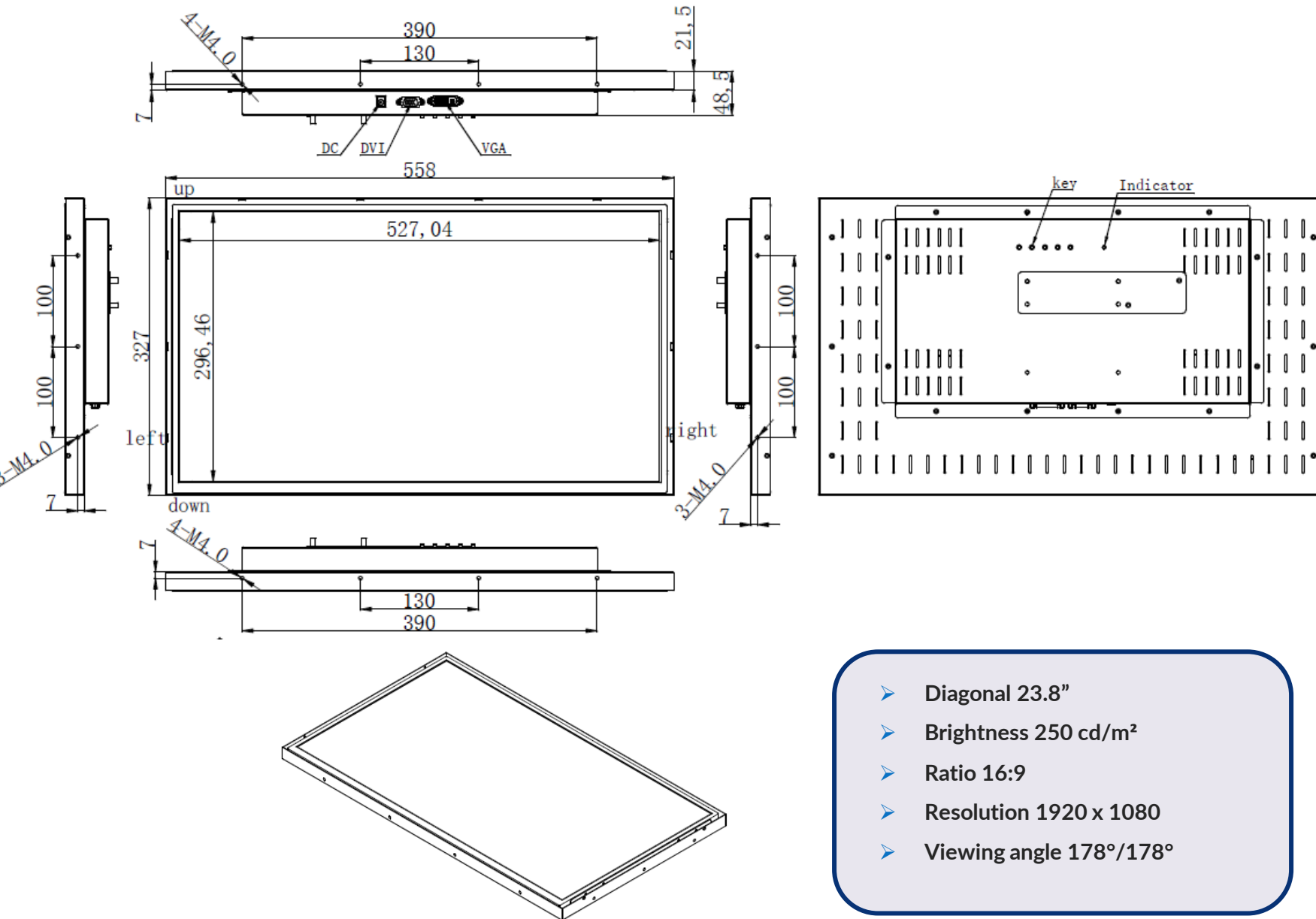
Technical drawing 22" MO-220-1-ZXI



- Diagonal 22"
- Brightness 250 cd/m²
- Ratio 16:10
- Resolution 1920x1200
- Viewing angle 170°/160°

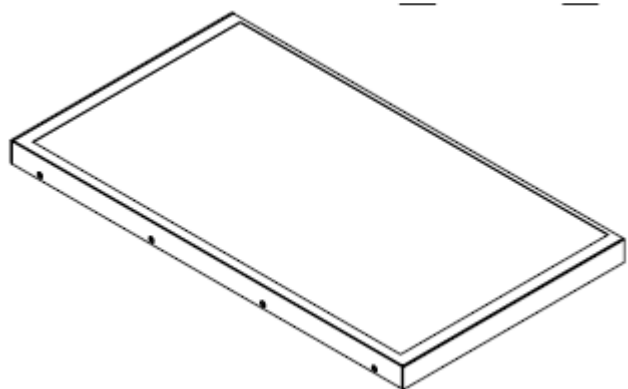
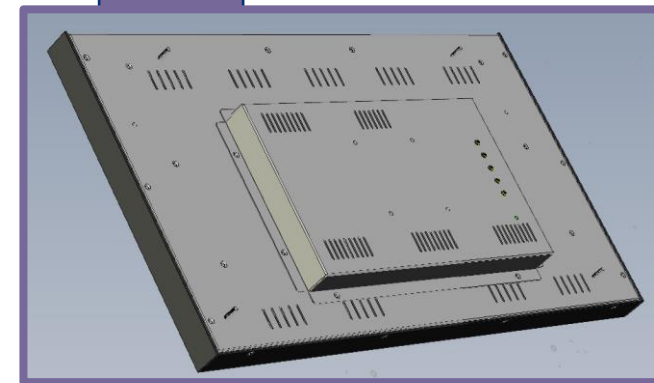
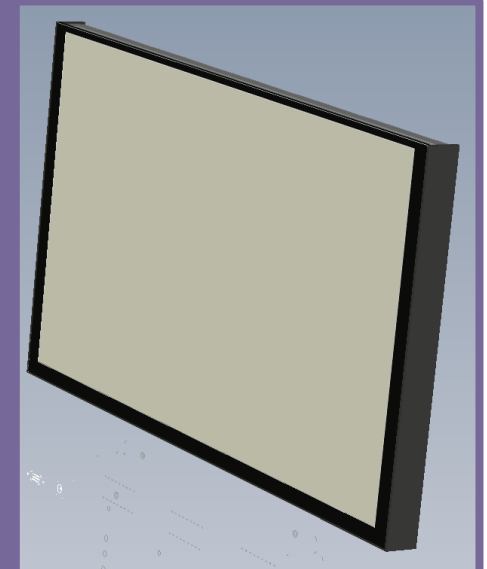
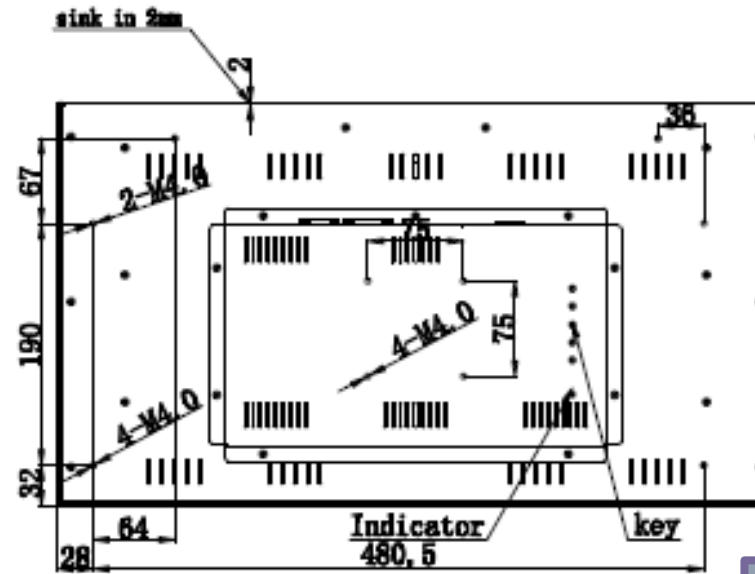
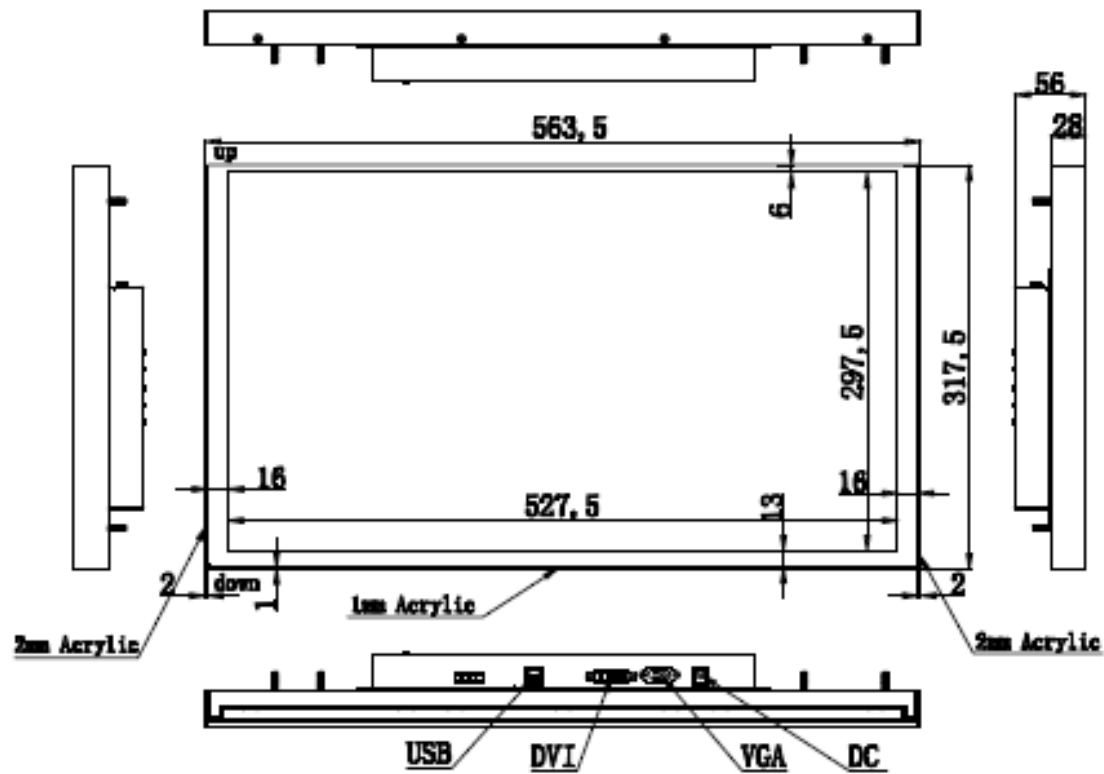


Technical drawing 23.8" MO-238-1-ZXI



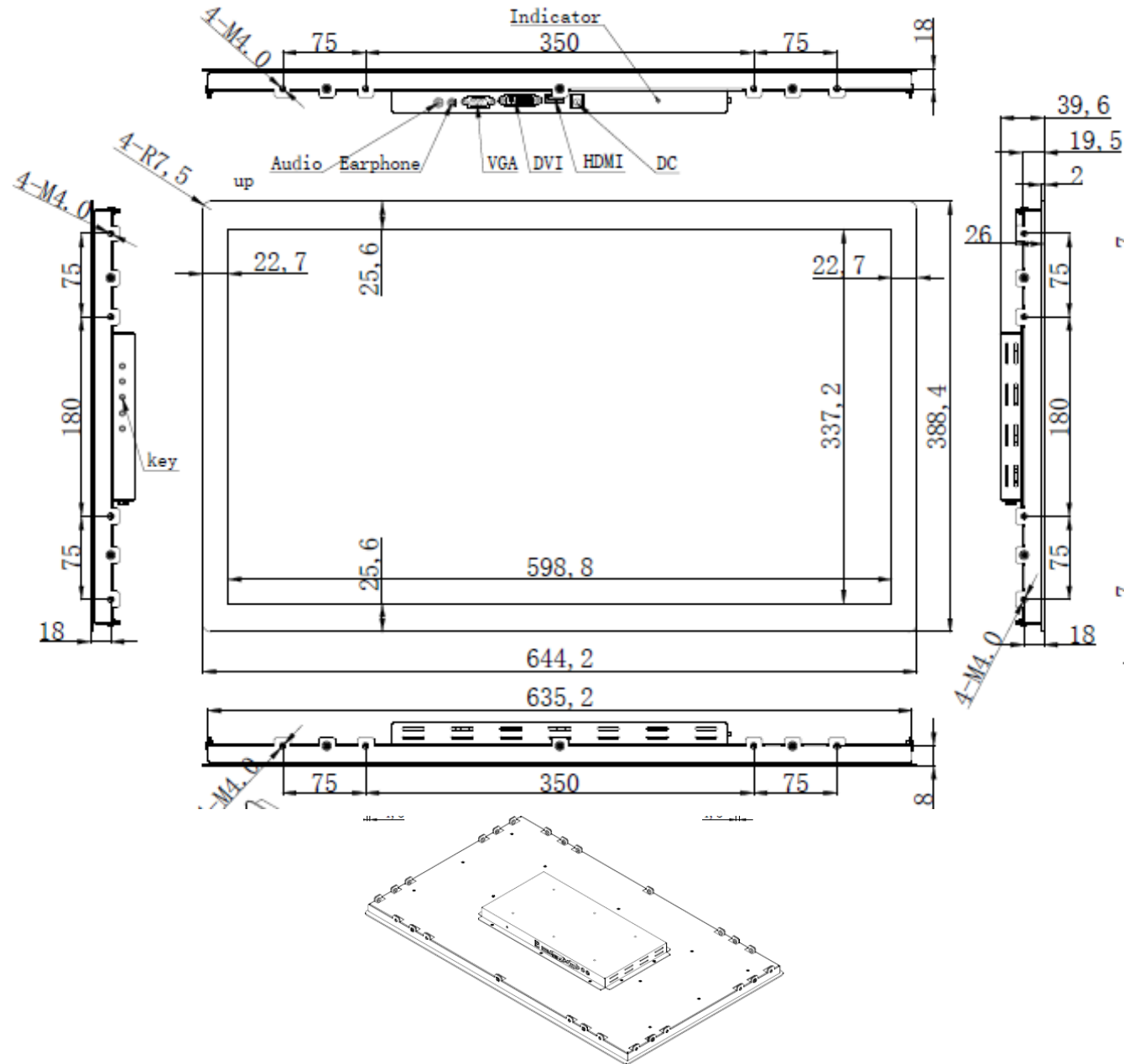
- Diagonal 23.8"
- Brightness 250 cd/m²
- Ratio 16:9
- Resolution 1920 x 1080
- Viewing angle 178°/178°

Technical drawing 23.8" MO-238-2-ZXI

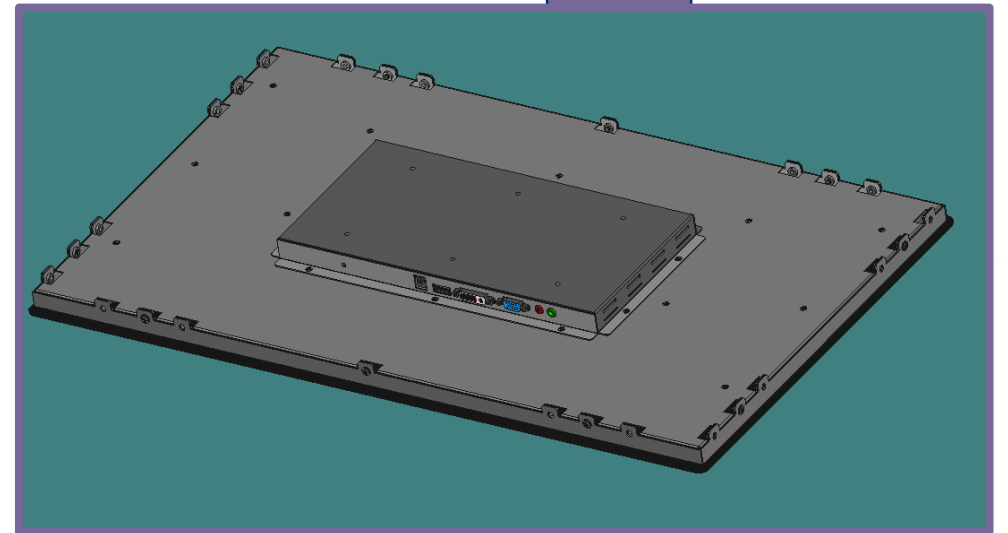
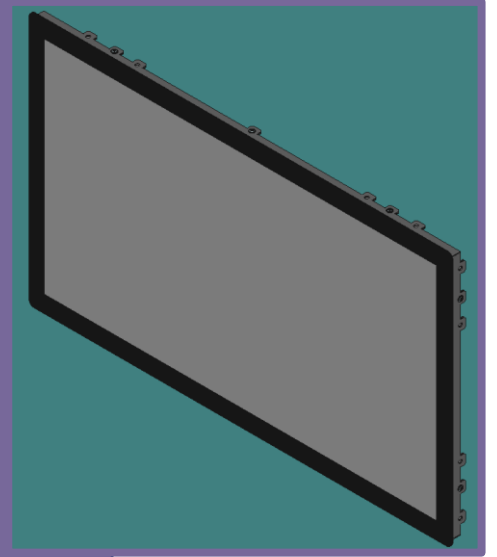


- Diagonal 23.8"
- Brightness 250 cd/m²
- Ratio 16:9
- Resolution 1920 x 1080
- Viewing angle 178°/178°

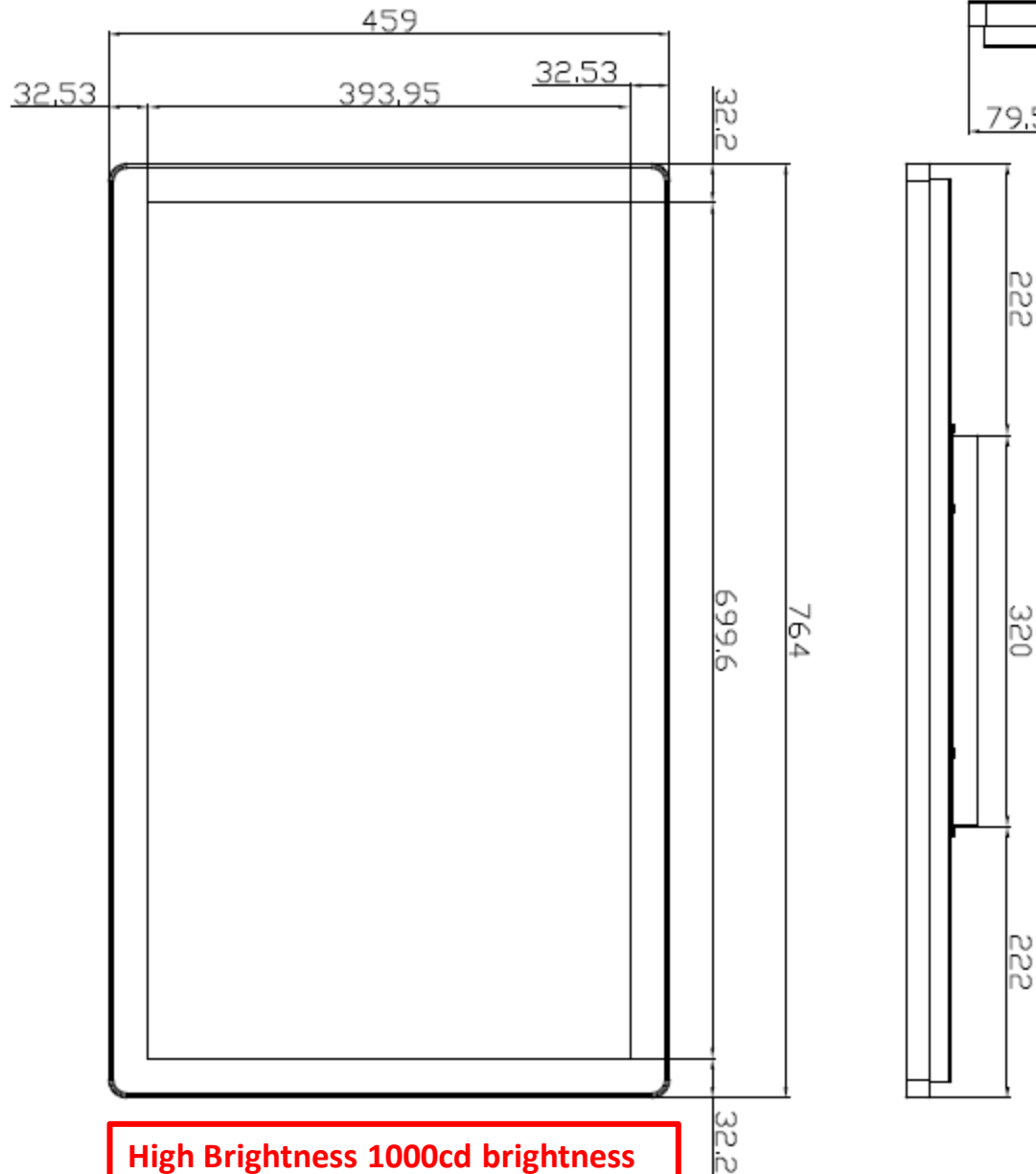
Technical drawing 27" MO-270-003-(/T) (touch AND non touch)



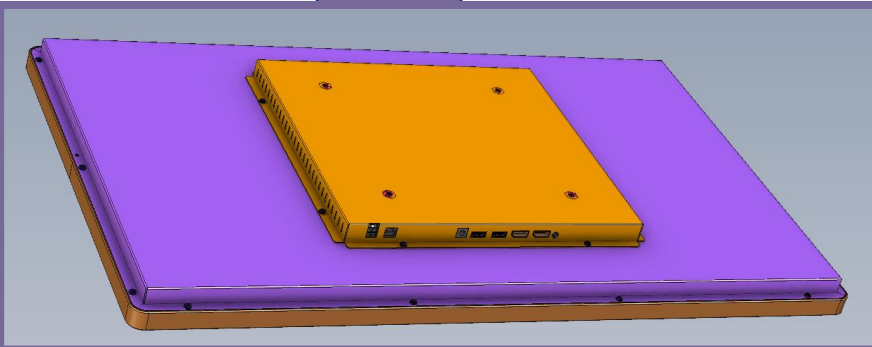
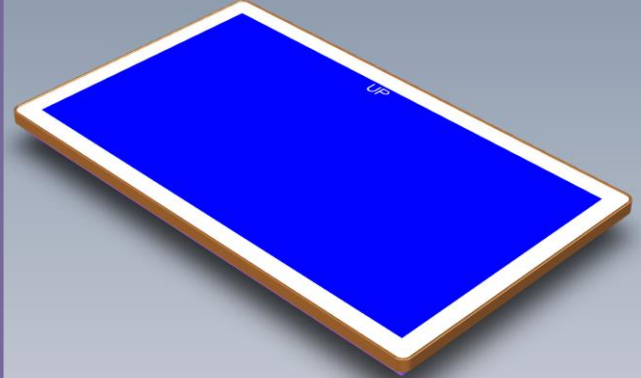
- Diagonal 27"
- Brightness 250 cd/m²
- Ratio 16:9
- Resolution 1920 x 1080
- Viewing angle 178°/178°
- Ext 12 Volt DC power supply



Technical drawing 32" MO-320-HB-1000-A/PT (touch)



High Brightness 1000cd brightness



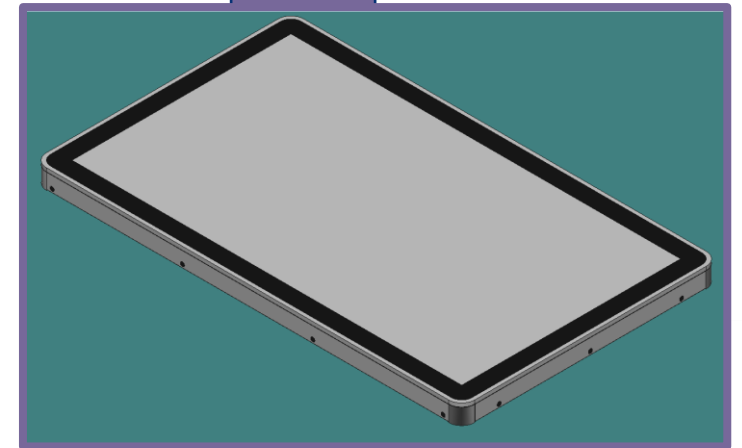
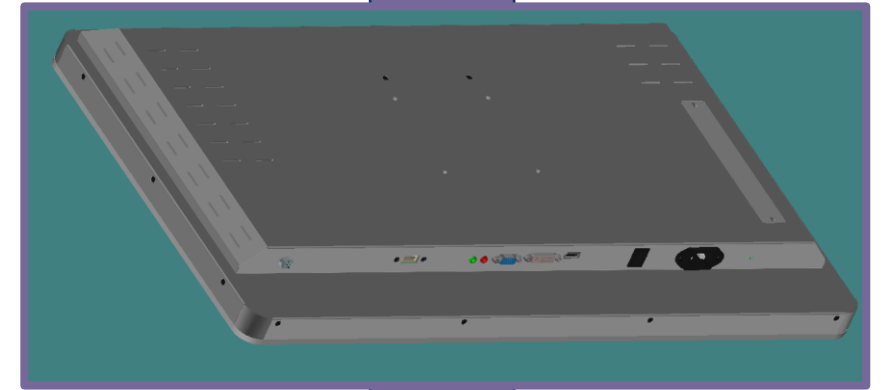
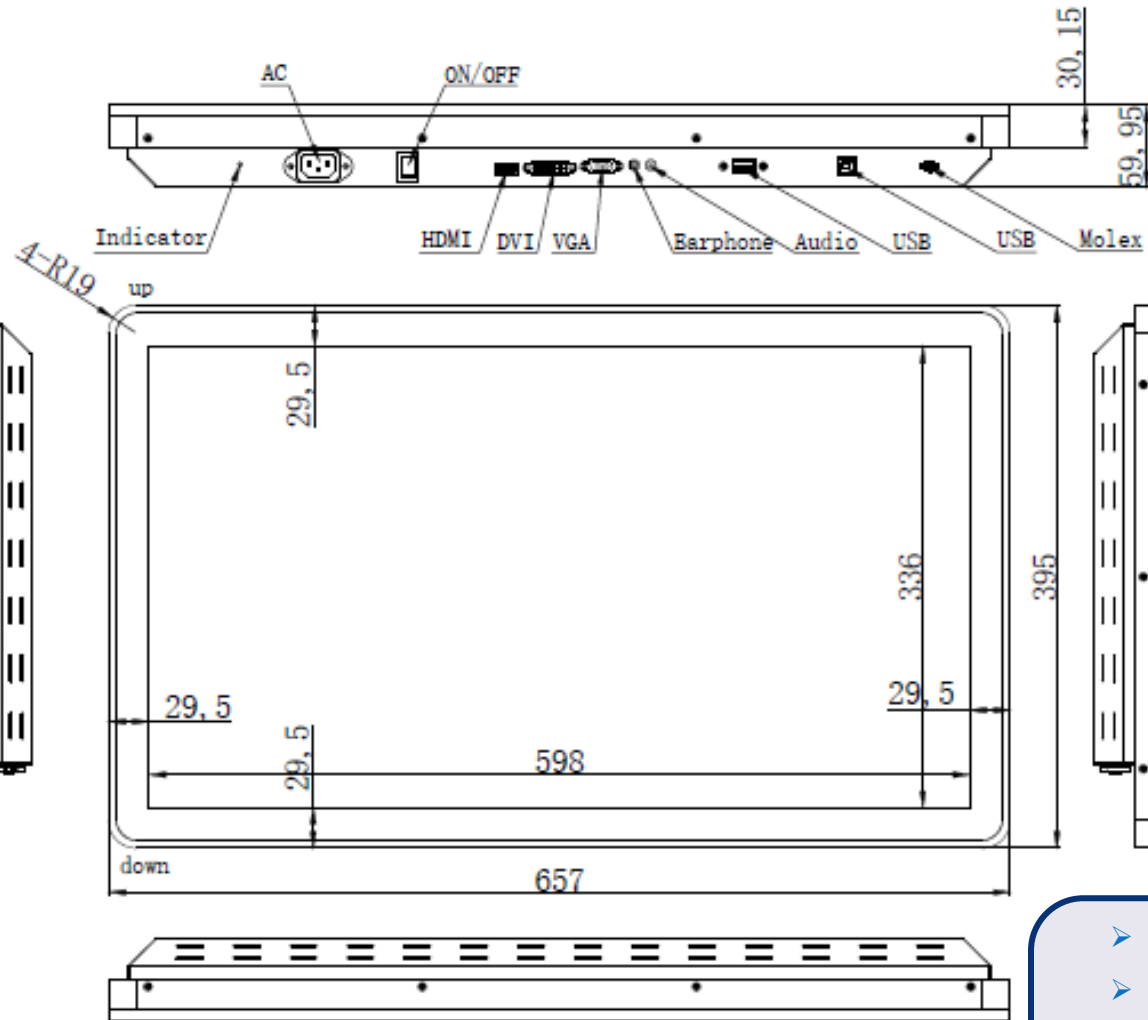
- Diagonal 32"
- **Brightness - HB 1000 cd/m²**
- Ratio 16:9
- **4K Resolution 3840 x 2160**
- Viewing angle 178°/178°
- Ext 12 Volt DC power supply



H-Range Edge Lit and Front Lit LED HALO Monitors

Technical drawing " HL-270-001-ZTX

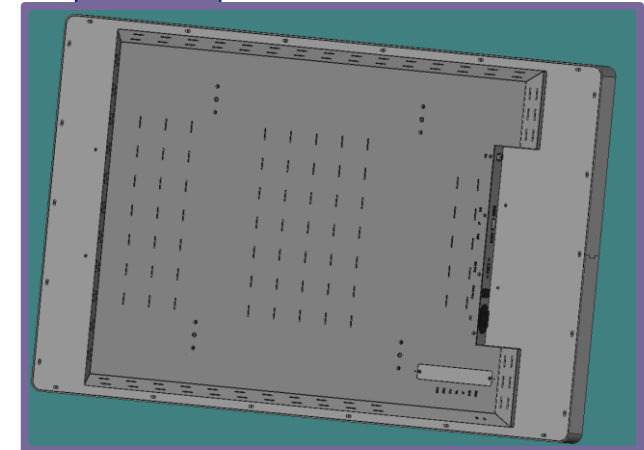
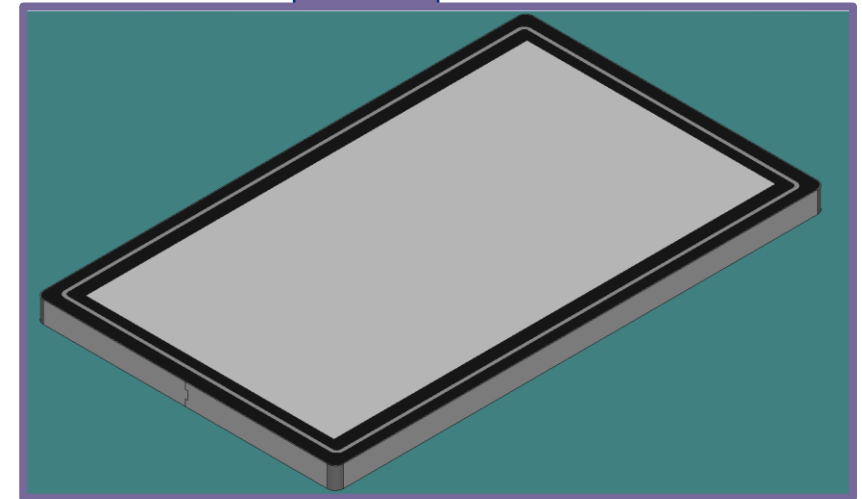
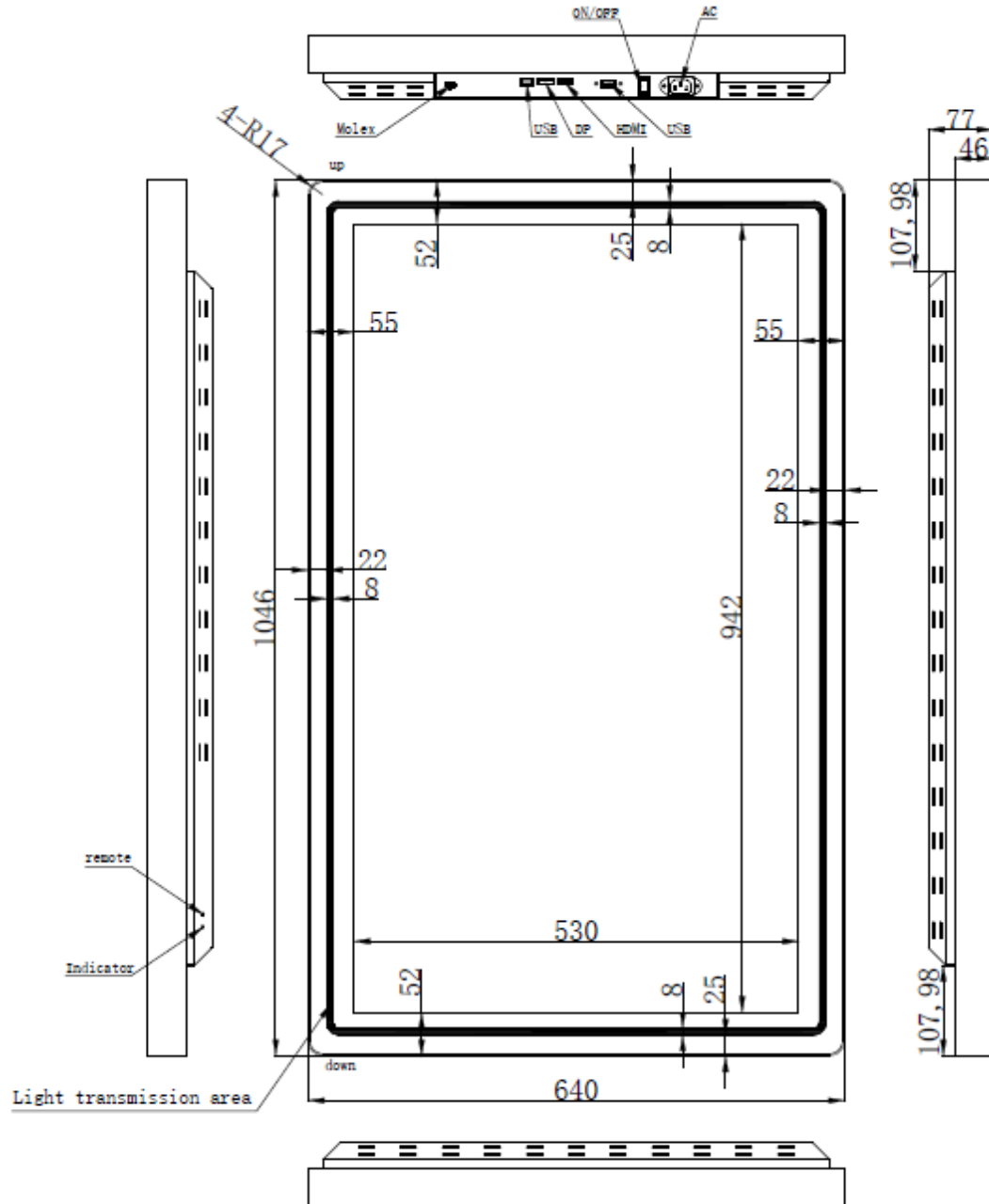
Edge Lit LED HALO Monitor



- Diagonal 27"
- Brightness 250 cd/m²
- Ratio 16:9
- Resolution 1920 x 1080
- Viewing angle 178°/178°

Technical drawing " HL-430-001-ZTX

Front Lit LED HALO Monitor



- Diagonal 43"
- Brightness 300 cd/m²
- Ratio 16:9
- Resolution 4K 3840 x 2048
- Viewing angle 178°/178°

Custom monitor builder – Full custom design available

CDS has its own OEM factories allowing rapid development, commercially competitive and have scalable production capability. From designing a replacement for a current product through to a complete design CDS has the resource available for you TODAY

["Click here to see the Monitor Builder and enter your requirements"](#)



DEVELOPMENT

of new products through
out R&D team

AFTER SALES

Support for internal repairs
and full technical backup

BESPOKE

Touch monitor design

CDS

Crystal Display Systems Ltd

Crystal Display Systems is a leading designer, distributor & value added reseller of flat panel display solutions. Our expertise allows us to offer the best solutions to our clients and partners. We offer Industrial TFT LCDs, Retail Displays, Translucent displays, Touch screens, videowalls & many other digital solutions.

RAPID

Sample production quicker
than most local suppliers

LEADTIMES

For production excellent
compared to other
manufacturers

QUALITY

ISO9001 approved

EUROPEAN

design with Far Eastern
pricing

GLOBAL

production with factories
in CHINA / TAIWAN /
SOUTH KOREA

For More Information, Please
Contact Our Main Office And
Technical Support Team



Crystal Display Systems Limited



Unit 6 M2M Park, Fort Bridgewood,
Maidstone Road, Rochester,
Kent ME1 3DQ United Kingdom



Tel. +44 (0) 1634 791600



info@crystal-display.com

*E & OE. Specifications may be subject to
change without prior notice

