

# SPECIFICATION

---

**HL-236-001-RND-700-Z/T**

**23.6" Round Monitor with Halo surround and PCAP Touchscreen**

Dated: 28<sup>th</sup> November 2022

## FEATURES

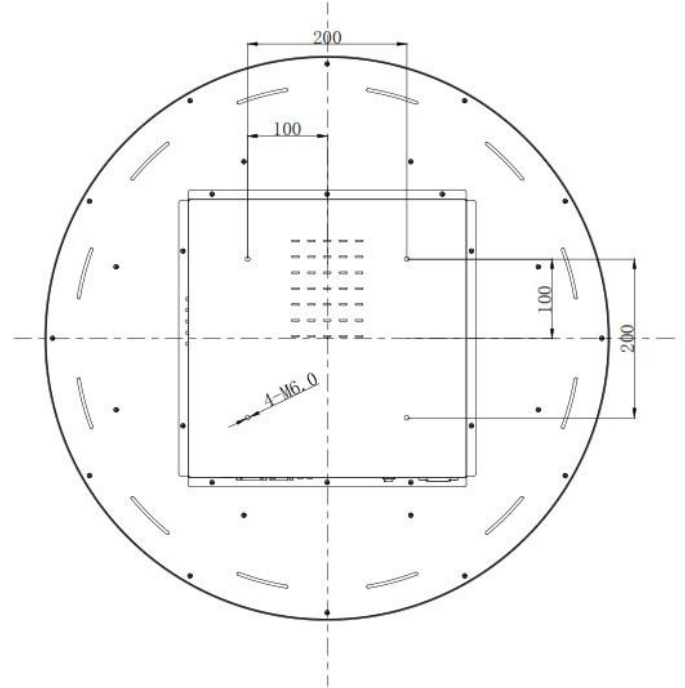
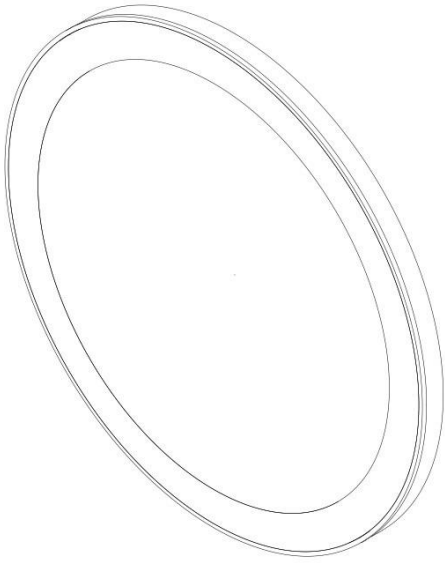
- High performance BOE TFT LCD monitor providing a high-quality screen image. 1280x1280 resolution.
- This monitor supports VGA, DVI and HDMI input
- Wide input resolution range up to Full HD (1920 x 1080@60Hz).
- LED halo surround, 16703P
- PCAP touch glass



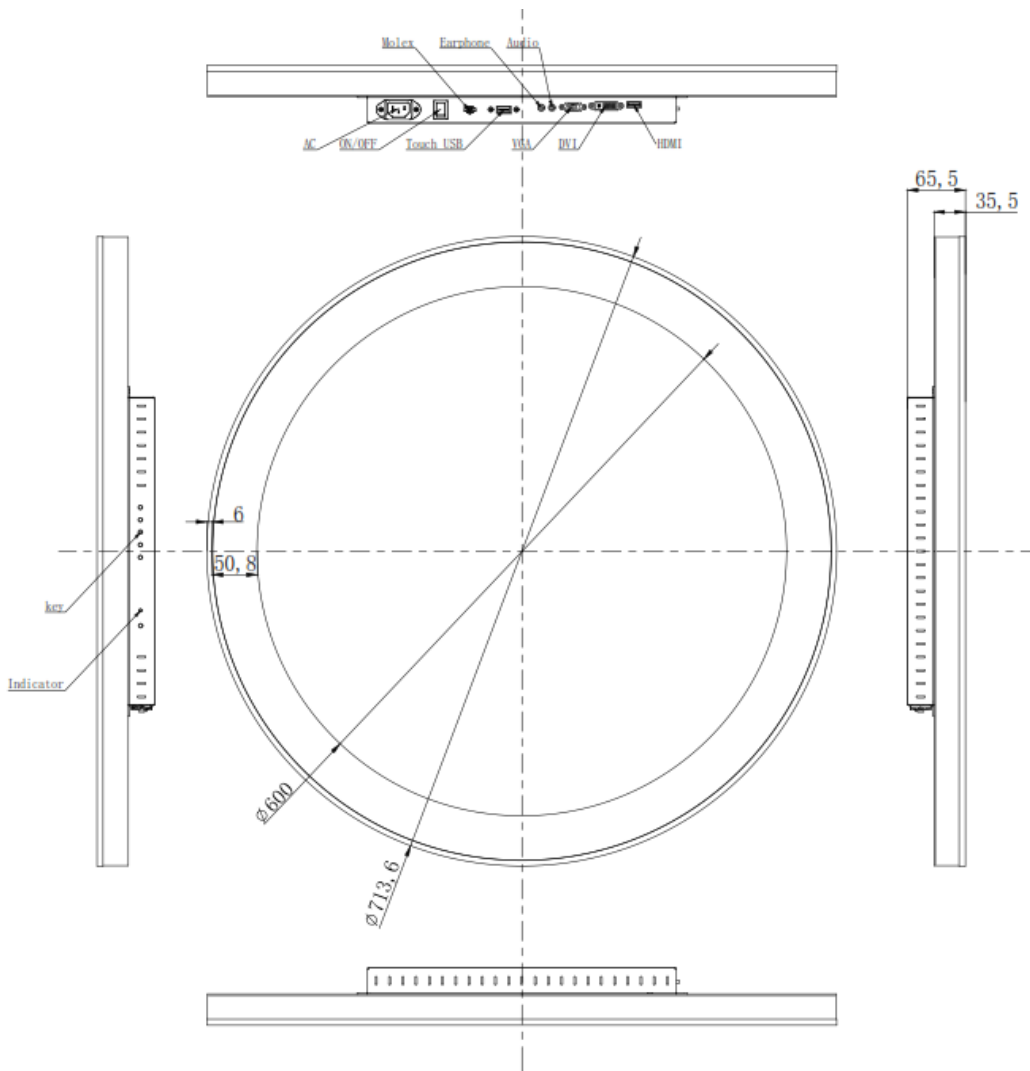
## SPECIFICATION

Screen diagonal	23.6 inches (Round)
Pixel pitch	0.4683 x 0.4683 mm
Base Panel	BOE DV236FBM-N00 (23.6" Round Type)
Active area	599.424 (H) × 599.424 (V) mm
Screen max resolution	1280 x 1280px
Colour depth	16.7M
Brightness	700cd/m <sup>2</sup>
Frame Rate	Typ. 60Hz
Backlight Unit	LED
Contract ratio	1000:1
Viewing Angle H/V (CR>10)	R/L: 178 degree (89/89) U/D: 178 degree (89/89)
Inputs	HDMI x 1 / DVI x 1 / VGA
OSD Language	Multi
VESA Mounting pattern	200 x 200mm
Surface Treatments	Anti-Glare, Haze = 28%
Power input	100-240V, AC 50/60Hz
Operating temperature	0°C ~ 40°C
Storage temperature	-20°C ~ 60°C
Operating humidity	20 ~ 80% (10 ~ 90% storage)
Touch Type	PCAP (USB-A)
Touch glass thickness	3mm

## Isometric View



## DRAWING



## Need any additional information?

If you need any assistance with pricing information, technical support or require any additional information our team would be more than happy to assist.



### **CONTACT US:**

Crystal Display Systems Ltd  
Unit 6 M2M Park, Fort Bridgewood,  
Maidstone Road, Rochester, Kent  
ME1 3DQ  
United Kingdom

T: +44 (0) 1634 791600  
E: [info@crystal-display.com](mailto:info@crystal-display.com)  
W: [crystal-display.com](http://crystal-display.com)

**SPECIALIST GLOBAL SUPPLIERS IN INNOVATIVE LCD  
DISPLAY SOLUTIONS AND DIGITAL SIGNAGE SOLUTIONS**

---

\*E & OE. Specifications may be subject to change without prior notice

More information can be found at:  
[crystal-display.com](http://crystal-display.com)